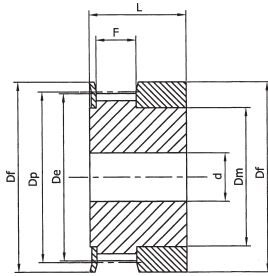


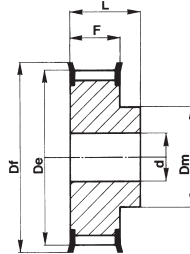


PULEGGE DENTATE PER CINGHIE HTD®

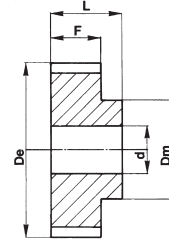
Timing belt pulleys HTD®
HTD® Zahnriemenscheiben
Poulies dentées HTD®
Poleas para correas dentadas HTD®



Tipo / Type
1F



Tipo / Type
6F



Tipo / Type
6

HTD® 3M-06

Caratteristiche Features Merkmale Características	Codice Code symbol Bezeichnung Code symbole Numero de fabrica	Nostro codice Our code Unser Code Notre code Nuestro codigo	Tipo Type Typ Type Tipo	Codice flangia Flange code Bordscheiben Typ Code flasque Código brida	N. denti N. of teeth Zähnezahl N. bre de dents Cantidad de dientes	Dp	De	Df	Dm	F	L	Foro stock Stock bore Vor bohrung Alesage en stock Agujero de stock	Peso Weight / Gewicht Poids / Peso Kg
con flangia / with flanges mit Flanges / avec flasques con tapetas	10 3M 06	03M0610	1F	FL501	10	9,55	8,79	13,0	6,0	7,2	14,5	4	
	12 3M 06	03M0612	1F	FL502	12	11,46	10,70	15,0	8,0	7,2	14,5	4	
	14 3M 06	03M0614	1F	FL503	14	13,37	12,61	16,0	9,5	7,2	14,5	4	
	153M 06	03M0615	1F	FL516	15	14,32	13,56	17,5	10,5	7,2	14,5	4	
	16 3M 06	03M0616	6F	FL504	16	15,28	14,52	17,5	10,0	9,8	17,5	4	
	18 3M 06	03M0618	6F	FL505	18	17,19	16,43	20,0	11,0	9,8	17,5	6	
	20 3M 06	03M0620	6F	FL517	20	19,10	18,34	23,0	13,0	9,8	17,5	6	
	21 3M 06	03M0621	6F	FL518	21	20,05	19,29	25,0	13,0	9,8	17,5	6	
	22 3M 06	03M0622	6F	FL518	22	21,01	20,25	25,0	13,0	9,8	17,5	6	
	24 3M 06	03M0624	6F	FL518	24	22,92	22,16	25,0	13,0	9,8	17,5	6	
	26 3M 06	03M0626	6F	FL508	26	24,83	24,07	28,0	16,0	9,8	17,5	6	
	28 3M 06	03M0628	6F	FL509	28	26,74	25,98	32,0	18,0	9,8	17,5	6	
	30 3M 06	03M0630	6F	FL509	30	28,65	27,89	32,0	20,0	9,8	17,5	6	
	32 3M 06	03M0632	6F	FL510	32	30,56	29,80	36,0	22,0	9,8	17,5	6	
36 3M 06	03M0636	6F	FL519	36	34,38	33,62	39,0	26,0	10,3	18,0	6		
40 3M 06	03M0640	6F	FL513	40	38,20	37,44	42,0	28,0	10,3	18,0	6		
44 3M 06	03M0644	6F	FL520	44	42,02	41,26	48,0	33,0	10,3	18,0	6		
senza flangia / without flanges ohne Flanschen / sans flasques sin tapetas	48 3M 06	03M0648	6	-	48	45,84	45,08	-	33,0	10,3	18,6	8	
	60 3M 06	03M0660	6	-	60	57,30	56,54	-	33,0	10,3	18,6	8	
	72 3M 06	03M0672	6	-	72	68,75	67,99	-	33,0	10,3	18,6	8	

Pulegge dentate per cinghie HTD® / Timing belt pulleys HTD®
HTD® Zahnriemenscheiben / Poulies dentées HTD®
Poleas para correas dentadas HTD®

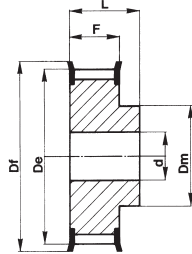


HTD® 3M-09

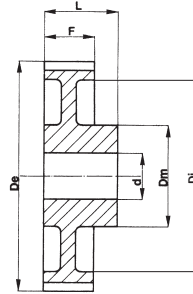
Caratteristiche Features Merkmale Características	Codice Code symbol Bezeichnung Code symbole Numero de fabrica	Nostro codice Our code Unser Code Notre code Nuestro código	Tipo Type Typ Type Tipo	Codice flangia Flange code Bordscheiben Typ Code flasque Código brida	N. denti N. of teeth Zähnezahl N. bre de dents Cantidad de dientes	Dp	De	Df	Dm	F	L	Foro stock Stock bore Vor bohrung Alesage en stock Agujero de stock	Peso Weight / Gewicht Poids / Peso Kg
Alluminio / Aluminium / Aluminium / Aluminium / Aluminium 6082 T6 UNI 9006/4	10 3M 09	03M0910	1F	FL501	10	9,55	8,79	13,0	6,0	10,2	17,5	4	0,004
	12 3M 09	03M0912	1F	FL502	12	11,46	10,70	15,0	8,0	10,2	17,5	4	0,006
	14 3M 09	03M0914	1F	FL503	14	13,37	12,61	16,0	9,5	10,2	17,5	4	0,007
	15 3M 09	03M0915	1F	FL516	15	14,32	13,56	17,5	10,5	10,2	17,5	4	0,008
	16 3M 09	03M0916	6F	FL504	16	15,28	14,52	17,5	10,0	12,8	20,6	4	0,007
	18 3M 09	03M0918	6F	FL505	18	17,19	16,43	20,0	10,6	12,8	20,6	6	0,008
	20 3M 09	03M0920	6F	FL517	20	19,10	18,34	23,0	12,4	12,8	20,6	6	0,010
	21 3M 09	03M0921	6F	FL518	21	20,05	19,29	25,0	13,0	12,8	20,6	6	0,013
	22 3M 09	03M0922	6F	FL518	22	21,01	20,25	25,0	13,0	12,8	20,6	6	0,014
	24 3M 09	03M0924	6F	FL518	24	22,92	22,16	25,0	13,0	12,8	20,6	6	0,016
	26 3M 09	03M0926	6F	FL508	26	24,83	24,07	28,0	16,0	12,8	20,6	6	0,018
	28 3M 09	03M0928	6F	FL509	28	26,74	25,98	32,0	18,0	12,8	20,6	6	0,024
	30 3M 09	03M0930	6F	FL509	30	28,65	27,89	32,0	20,0	12,8	20,6	6	0,028
	32 3M 09	03M0932	6F	FL510	32	30,56	29,80	36,0	22,0	12,8	20,6	6	0,032
	36 3M 09	03M0936	6F	FL519	36	34,38	33,62	39,0	26,0	13,4	22,2	6	0,045
	40 3M 09	03M0940	6F	FL513	40	38,20	37,44	42,0	28,0	13,4	22,2	6	0,055
44 3M 09	03M0944	6F	FL520	44	42,02	41,26	48,0	33,0	13,4	22,2	6	0,074	
senza flangia / without flanges / ohne Flanschen sans flasques / sin tapetas	48 3M 09	03M0948	6	-	48	45,84	45,08	-	33,0	13,4	22,2	8	0,074
	60 3M 09	03M0960	6	-	60	57,30	56,54	-	33,0	13,4	22,2	8	0,106
	72 3M 09	03M0972	6	-	72	68,75	67,99	-	33,0	13,4	22,2	8	0,145

HTD® 3M-15

Caratteristiche Features Merkmale Características	Codice Code symbol Bezeichnung Code symbole Numero de fabrica	Nostro codice Our code Unser Code Notre code Nuestro código	Tipo Type Typ Type Tipo	Codice flangia Flange code Bordscheiben Typ Code flasque Código brida	N. denti N. of teeth Zähnezahl N. bre de dents Cantidad de dientes	Dp	De	Df	Dm	F	L	Foro stock Stock bore Vor bohrung Alesage en stock Agujero de stock	Peso Weight / Gewicht Poids / Peso Kg
Alluminio / Aluminium / Aluminium / Aluminium / Aluminium 6082 T6 UNI 9006/4	10 3M 15	03M1510	1F	FL501	10	9,55	8,79	13,0	6,0	17,0	26,0	4	0,006
	12 3M 15	03M1512	1F	FL502	12	11,46	10,70	15,0	8,0	17,0	26,0	4	0,008
	14 3M 15	03M1514	1F	FL503	14	13,37	12,61	16,0	9,5	17,0	26,0	4	0,010
	15 3M 15	03M1515	1F	FL516	15	14,32	13,56	17,5	10,5	17,0	26,0	4	0,012
	16 3M 15	03M1516	6F	FL504	16	15,28	14,52	17,5	10,0	19,5	26,0	4	0,010
	18 3M 15	03M1518	6F	FL505	18	17,19	16,43	20,0	10,6	19,5	26,0	6	0,012
	20 3M 15	03M1520	6F	FL517	20	19,10	18,34	23,0	12,4	19,5	26,0	6	0,014
	21 3M 15	03M1521	6F	FL518	21	20,05	19,29	25,0	13,0	19,5	26,0	6	0,016
	22 3M 15	03M1522	6F	FL518	22	21,01	20,25	25,0	13,0	19,5	26,0	6	0,018
	24 3M 15	03M1524	6F	FL518	24	22,92	22,16	25,0	13,0	19,5	26,0	6	0,020
	26 3M 15	03M1526	6F	FL508	26	24,83	24,07	28,0	16,0	19,5	26,0	6	0,027
	28 3M 15	03M1528	6F	FL509	28	26,74	25,98	32,0	18,0	19,5	26,0	6	0,030
	30 3M 15	03M1530	6F	FL509	30	28,65	27,89	32,0	20,0	19,5	26,0	6	0,035
	32 3M 15	03M1532	6F	FL510	32	30,56	29,80	36,0	22,0	19,5	26,0	6	0,042
	36 3M 15	03M1536	6F	FL519	36	34,38	33,62	39,0	26,0	20,0	30,0	6	0,060
	40 3M 15	03M1540	6F	FL513	40	38,20	37,44	42,0	28,0	20,0	30,0	6	0,075
44 3M 15	03M1544	6F	FL520	44	42,02	41,26	48,0	33,0	20,0	30,0	6	0,095	
senza flangia / without flanges / ohne Flanschen sans flasques / sin tapetas	48 3M 15	03M1548	6	-	48	45,84	45,08	-	33,0	20,0	30,0	8	0,103
	60 3M 15	03M1560	6	-	60	57,30	56,54	-	33,0	20,0	30,0	8	0,150
	72 3M 15	03M1572	6	-	72	68,75	67,99	-	33,0	20,0	30,0	8	0,212



Tipo / Type
6F



Tipo / Type
6W

HTD® 5M-09

Caratteristiche Features Merkmal Características	Codice Code symbol Bezeichnung Code symbole Numero de fabrica	Nostro codice Our code Unser Code Notre code Nuestro codigo	Tipo Type Typ Type Tipo	Codice flangia Flange code Bordscheiben Typ Code flasque Código brida	N. denti N. of teeth Zähnezahl N. bre de dents Cantidad de dientes	Dp	De	Df	Dm	Di	F	L	Foro stock Stock bore Vor bohrung Alesage en stock Agujero de stock	Peso Weight / Gewicht Poids / Peso Kg
Acciaio / Steel / Stahl Acier / Acero con flangia / with flanges mit Flanges / avec flasques con tapetas	12 5M 09	05M0912	6F	FL014	12	19,10	17,96	23,0	12,0	-	14,5	20,0	4	0,028
	14 5M 09	05M0914	6F	FL002	14	22,28	21,14	25,0	13,0	-	14,5	20,0	6	0,034
	15 5M 09	05M0915	6F	FL004	15	23,87	22,73	28,0	16,0	-	14,5	20,0	6	0,042
	16 5M 09	05M0916	6F	FL004	16	25,46	24,32	28,0	16,5	-	14,5	20,0	6	0,050
	18 5M 09	05M0918	6F	FL006	18	28,65	27,51	32,0	20,0	-	14,5	20,0	6	0,070
	20 5M 09	05M0920	6F	FL008	20	31,83	30,69	36,0	23,0	-	14,5	22,5	6	0,094
	21 5M 09	05M0921	6F	FL009	21	33,42	32,28	38,0	24,0	-	14,5	22,5	6	0,110
	22 5M 09	05M0922	6F	FL015	22	35,01	33,87	39,0	25,5	-	14,5	22,5	6	0,118
	24 5M 09	05M0924	6F	FL013	24	38,20	37,06	42,0	27,0	-	14,5	22,5	6	0,145
	26 5M 09	05M0926	6F	FL012	26	41,38	40,24	44,0	30,0	-	14,5	22,5	6	0,170
	28 5M 09	05M0928	6F	FL011	28	44,56	43,42	48,0	30,5	-	14,5	22,5	6	0,200
	30 5M 09	05M0930	6F	FL016	30	47,75	46,60	51,0	35,0	-	14,5	22,5	6	0,236
	32 5M 09	05M0932	6F	FL018	32	50,93	49,79	54,0	38,0	-	14,5	22,5	8	0,210
36 5M 09	05M0936	6F	FL021	36	57,30	56,16	60,0	38,0	-	14,5	22,5	8	0,324	
40 5M 09	05M0940	6F	FL025	40	63,66	62,52	71,0	38,0	-	14,5	22,5	8	0,400	
Alluminio / Aluminium Aluminium / Aluminium Aluminio senza flangia / without flanges / ohne Flanschen sans flasques / sin tapetas	44 5M 09	05M0944	6W	-	44	70,03	68,89	-	38,0	54	14,5	25,5	8	0,170
	48 5M 09	05M0948	6W	-	48	76,39	75,25	-	45,0	61	14,5	25,5	8	0,182
	60 5M 09	05M0960	6W	-	60	95,46	94,35	-	45,0	80	14,5	25,5	8	0,230
	72 5M 09	05M0972	6W	-	72	114,59	113,45	-	45,0	100	14,5	25,5	8	0,270

Pulegge dentate per cinghie HTD® / Timing belt pulleys HTD®
HTD® Zahnriemenscheiben / Poulies dentées HTD®
Poleas para correas dentadas HTD®

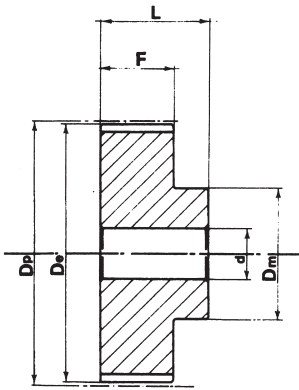


HTD® 5M-15

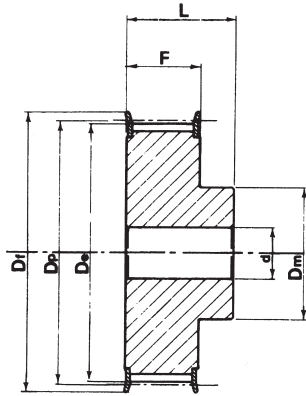
Caratteristiche Features Merkmale Características	Codice Code symbol Bezeichnung Code symbole Numero de fabrica	Nostro codice Our code Unser Code Notre code Nuestro codigo	Tipo Type Typ Type Tipo	Codice flangia Flange code Bordscheiben Typ Code flasque Código brida	N. denti N. of teeth Zähnezahl N. bre de dents Cantidad de dientes	Dp	De	Df	Dm	Di	F	L	Foro stock Stock bore Vor bohrung Alesage en stock Agujero de stock	Peso Weight / Gewicht Poids / Peso Kg
Acciaio / Steel / Stahl Acier / Acero con flangia / with flanges mit Flanges / avec flasques con tapetas	12 5M 15	05M1512	6F	FL014	12	19,10	17,96	23,0	12,0	-	20,5	26,0	4	0,034
	14 5M 15	05M1514	6F	FL002	14	22,28	21,14	25,0	13,0	-	20,5	26,0	6	0,046
	15 5M 15	05M1515	6F	FL004	15	23,87	22,73	28,0	16,0	-	20,5	26,0	6	0,056
	16 5M 15	05M1516	6F	FL004	16	25,46	24,32	28,0	16,5	-	20,5	26,0	6	0,064
	18 5M 15	05M1518	6F	FL006	18	28,65	27,51	32,0	20,0	-	20,5	26,0	6	0,086
	20 5M 15	05M1520	6F	FL008	20	31,83	30,69	36,0	23,0	-	20,5	26,0	6	0,112
	21 5M 15	05M1521	6F	FL009	21	33,42	32,28	38,0	24,0	-	20,5	26,0	6	0,130
	22 5M 15	05M1522	6F	FL015	22	35,01	33,87	39,0	25,5	-	20,5	26,0	6	0,140
	24 5M 15	05M1524	6F	FL013	24	38,20	37,06	42,0	27,0	-	20,5	28,0	6	0,180
	26 5M 15	05M1526	6F	FL012	26	41,38	40,24	44,0	30,0	-	20,5	28,0	6	0,220
	28 5M 15	05M1528	6F	FL011	28	44,56	43,42	48,0	30,5	-	20,5	28,0	6	0,250
	30 5M 15	05M1530	6F	FL016	30	47,75	46,60	51,0	35,0	-	20,5	28,0	6	0,300
	32 5M 15	05M1532	6F	FL018	32	50,93	49,79	54,0	38,0	-	20,5	28,0	8	0,350
	36 5M 15	05M1536	6F	FL021	36	57,30	56,16	60,0	38,0	-	20,5	28,0	8	0,426
40 5M 15	05M1540	6F	FL025	40	63,66	62,52	71,0	38,0	-	20,5	28,0	8	0,520	
Alluminio / Aluminium Aluminium / Aluminium Aluminio senza flangia / without flanges / ohne Flanschen sans flasques / sin tapetas	44 5M 15	05M1544	6W	-	44	70,03	68,89	-	38,0	54	20,5	30,0	8	0,225
	48 5M 15	05M1548	6W	-	48	76,39	75,25	-	45,0	61	20,5	30,0	8	0,187
	60 5M 15	05M1560	6W	-	60	95,46	94,35	-	45,0	80	20,5	30,0	8	0,305
	72 5M 15	05M1572	6W	-	72	114,59	113,45	-	45,0	100	20,5	30,0	8	0,305

HTD® 5M-25

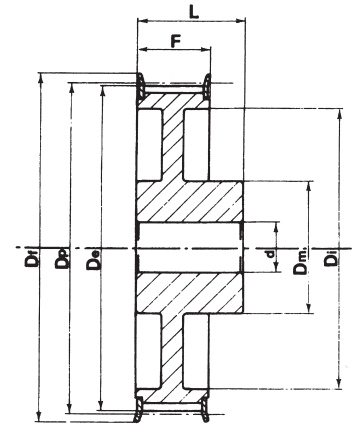
Caratteristiche Features Merkmale Características	Codice Code symbol Bezeichnung Code symbole Numero de fabrica	Nostro codice Our code Unser Code Notre code Nuestro codigo	Tipo Type Typ Type Tipo	Codice flangia Flange code Bordscheiben Typ Code flasque Código brida	N. denti N. of teeth Zähnezahl N. bre de dents Cantidad de dientes	Dp	De	Df	Dm	Di	F	L	Foro stock Stock bore Vor bohrung Alesage en stock Agujero de stock	Peso Weight / Gewicht Poids / Peso Kg
Acciaio / Steel / Stahl Acier / Acero con flangia / with flanges mit Flanges / avec flasques con tapetas	12 5M 25	05M2512	6F	FL014	12	19,10	17,96	23,0	12,0	-	30,5	36,0	4	0,050
	14 5M 25	05M2514	6F	FL002	14	22,28	21,14	25,0	13,0	-	30,5	36,0	6	0,070
	15 5M 25	05M2515	6F	FL004	15	23,87	22,73	28,0	16,0	-	30,5	36,0	6	0,080
	16 5M 25	05M2516	6F	FL004	16	25,46	24,32	28,0	16,5	-	30,5	36,0	6	0,100
	18 5M 25	05M2518	6F	FL006	18	28,65	27,51	32,0	20,0	-	30,5	36,0	6	0,120
	20 5M 25	05M2520	6F	FL008	20	31,83	30,69	36,0	23,0	-	30,5	36,0	6	0,160
	21 5M 25	05M2521	6F	FL009	21	33,42	32,28	38,0	24,0	-	30,5	38,5	6	0,190
	22 5M 25	05M2522	6F	FL015	22	35,01	33,87	39,0	25,5	-	30,5	38,5	6	0,210
	24 5M 25	05M2524	6F	FL013	24	38,20	37,06	42,0	27,0	-	30,5	38,5	6	0,250
	26 5M 25	05M2526	6F	FL012	26	41,38	40,24	44,0	30,0	-	30,5	38,5	6	0,300
	28 5M 25	05M2528	6F	FL011	28	44,56	43,42	48,0	30,5	-	30,5	38,5	6	0,350
	30 5M 25	05M2530	6F	FL016	30	47,75	46,60	51,0	35,0	-	30,5	38,5	6	0,420
	32 5M 25	05M2532	6F	FL018	32	50,93	49,79	54,0	38,0	-	30,5	38,5	8	0,480
	36 5M 25	05M2536	6F	FL021	36	57,30	56,16	60,0	38,0	-	30,5	38,5	8	0,590
40 5M 25	05M2540	6F	FL025	40	63,66	62,52	71,0	38,0	-	30,5	38,5	8	0,740	
Alluminio / Aluminium Aluminium / Aluminium Aluminio senza flangia / without flanges / ohne Flanschen sans flasques / sin tapetas	44 5M 25	05M2544	6W	-	44	70,03	68,89	-	38,0	54	30,5	40,5	8	0,320
	48 5M 25	05M2548	6W	-	48	76,39	75,25	-	45,0	61	30,5	40,5	8	0,275
	60 5M 25	05M2560	6W	-	60	95,46	94,35	-	45,0	80	30,5	40,5	8	0,435
	72 5M 25	05M2572	6W	-	72	114,59	113,45	-	45,0	100	30,5	40,5	8	0,525



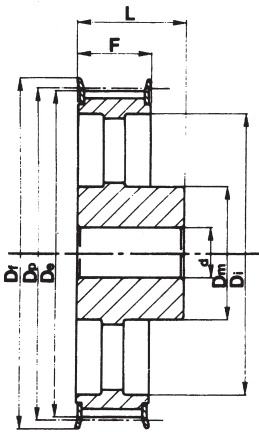
Tipo / Type
6



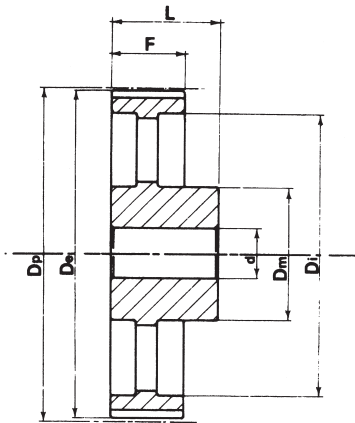
Tipo / Type
6F



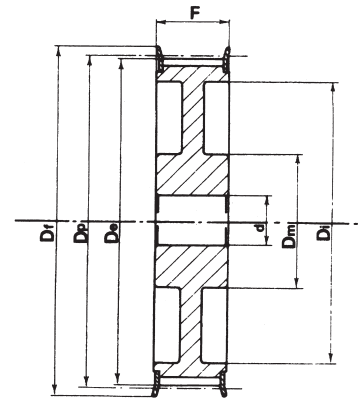
Tipo / Type
6WF



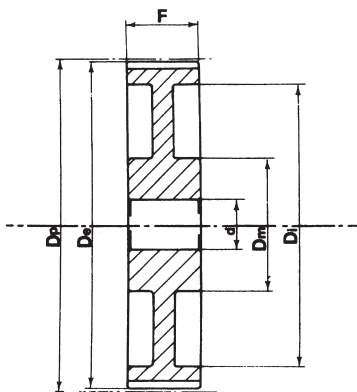
Tipo / Type
6AF



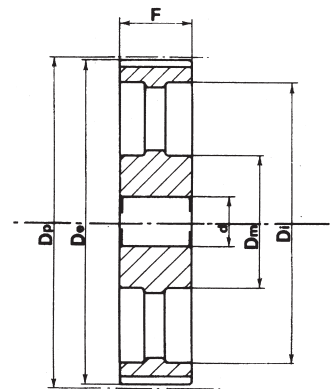
Tipo / Type
6A



Tipo / Type
10WF



Tipo / Type
10W



Tipo / Type
10A

Pulegge dentate per cinghie HTD® / Timing belt pulleys HTD®
HTD® Zahnriemenscheiben / Poulies dentées HTD®
Poleas para correas dentadas HTD®



HTD® 8M-20

Caratteristiche Features Merkmale Características	Codice Code symbol Bezeichnung Code symbole Numero de fabrica	Nostro codice Our code Unser Code Notre code Nuestro codigo	Tipo Type Typ Type Tipo	Codice flangia Flange code Bordscheiben Typ Code flasque Código brida	N. denti N. of teeth Zähnezahl N. bre de dents Cantidad de dientes	Dp	De	Df	Dm	Di	F	L	d	Peso Weight / Gewicht Poids / Peso Kg
Acciaio / Steel / Stahl Acier / Acero	22 8M 20	08M2022	6F	FL053	22	56,02	54,65	60,0	43,0	-	28	38	12	0,54
	24 8M 20	08M2024	6F	FL069	24	61,12	59,75	66,0	45,0	-	28	38	12	0,65
	26 8M 20	08M2026	6F	FL061	26	66,21	64,84	70,0	48,0	-	28	38	12	0,80
	28 8M 20	08M2028	6F	FL079	28	71,30	69,93	75,0	50,0	-	28	38	15	0,87
	30 8M 20	08M2030	6F	FL073	30	76,39	75,02	83,0	55,0	-	28	38	15	1,02
	32 8M 20	08M2032	6F	FL076	32	81,49	80,16	87,0	60,0	-	28	38	15	1,20
	34 8M 20	08M2034	6F	FL066	34	86,58	85,22	91,0	70,0	-	28	38	15	1,40
	36 8M 20	08M2036	6F	FL068	36	91,67	90,30	97,0	75,0	-	28	38	15	1,55
	38 8M 20	08M2038	6F	FL070	38	96,77	95,39	102,0	75,0	-	28	38	15	1,65
	40 8M 20	08M2040	6F	FL077	40	101,86	100,49	106,0	75,0	-	28	38	15	1,74
	44 8M 20	08M2044	6F	FL075	44	112,05	110,67	120,0	75,0	-	28	38	15	2,10
	48 8M 20	08M2048	6F	FL078	48	122,23	120,86	128,0	75,0	-	28	38	15	2,44
	56 8M 20	08M2056	6WF	FL085	56	142,60	141,23	150,0	80,0	116	28	38	15	2,60
	64 8M 20	08M2064	6WF	FL090	64	162,97	161,60	168,0	80,0	137	28	38	15	2,90
72 8M 20	08M2072	6WF	FL097	72	183,35	181,97	192,0	80,0	158	28	38	15	3,10	
Ghisa / Cast iron Grauguss / Fonte Hierro fundido	80 8M 20	08M2080	6W	-	80	203,72	202,35	-	90,0	180	28	38	15	3,80
	90 8M 20	08M2090	6A	-	90	229,18	227,81	-	90,0	204	28	38	15	4,20
	112 8M 20	08M2011	6A	-	112	285,21	283,83	-	90,0	254	28	38	18	5,20
	144 8M 20	08M2014	6A	-	144	366,69	365,32	-	90,0	336	28	38	20	7,50
	168 8M 20	08M2016	6A	-	168	427,81	426,44	-	100,0	400	28	38	20	10,00
	192 8M 20	08M2019	6A	-	192	488,92	487,55	-	100,0	460	28	38	20	14,40

HTD® 8M 30

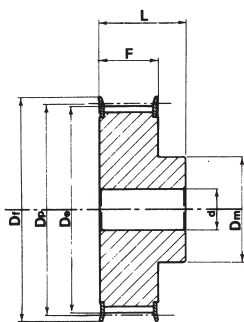
Caratteristiche Features Merkmale Características	Codice Code symbol Bezeichnung Code symbole Numero de fabrica	Nostro codice Our code Unser Code Notre code Nuestro codigo	Tipo Type Typ Type Tipo	Codice flangia Flange code Bordscheiben Typ Code flasque Código brida	N. denti N. of teeth Zähnezahl N. bre de dents Cantidad de dientes	Dp	De	Df	Dm	Di	F	L	d	Peso Weight / Gewicht Poids / Peso Kg
Acciaio / Steel / Stahl Acier / Acero	22 8M 30	08M3022	6F	FL053	22	56,02	54,65	60,0	43,0	-	38	48	12	0,69
	24 8M 30	08M3024	6F	FL069	24	61,12	59,75	66,0	45,0	-	38	48	12	0,84
	26 8M 30	08M3026	6F	FL061	26	66,21	64,84	70,0	48,0	-	38	48	12	1,00
	28 8M 30	08M3028	6F	FL079	28	71,30	69,93	75,0	50,0	-	38	48	15	1,12
	30 8M 30	08M3030	6F	FL073	30	76,39	75,02	83,0	55,0	-	38	48	15	1,32
	32 8M 30	08M3032	6F	FL076	32	81,49	80,16	87,0	60,0	-	38	48	15	1,53
	34 8M 30	08M3034	6F	FL066	34	86,58	85,22	91,0	70,0	-	38	48	15	1,80
	36 8M 30	08M3036	6F	FL068	36	91,67	90,30	97,0	75,0	-	38	48	15	1,99
	38 8M 30	08M3038	6F	FL070	38	96,77	95,39	102,0	75,0	-	38	48	15	2,27
	40 8M 30	08M3040	6F	FL077	40	101,86	100,49	106,0	75,0	-	38	48	15	2,40
	44 8M 30	08M3044	6F	FL075	44	112,05	110,67	120,0	75,0	-	38	48	15	2,80
	48 8M 30	08M3048	6F	FL078	48	122,23	120,86	128,0	75,0	-	38	48	15	3,20
	56 8M 30	08M3056	6WF	FL085	56	142,60	141,23	150,0	90,0	116	38	48	15	3,60
	64 8M 30	08M3064	6WF	FL090	64	162,97	161,60	168,0	90,0	137	38	48	15	4,30
72 8M 30	08M3072	6WF	FL097	72	183,35	181,97	192,0	95,0	158	38	48	15	4,80	
Ghisa / Cast iron Grauguss / Fonte Hierro fundido	80 8M 30	08M3080	6W	-	80	203,72	202,35	-	100,0	180	38	48	15	5,10
	90 8M 30	08M3090	6A	-	90	229,18	227,81	-	100,0	204	38	48	15	5,70
	112 8M 30	08M3011	6A	-	112	285,21	283,83	-	100,0	254	38	48	18	6,80
	144 8M 30	08M3014	6A	-	144	366,69	365,32	-	100,0	336	38	48	20	9,30
	168 8M 30	08M3016	6A	-	168	427,81	426,44	-	100,0	400	38	48	20	11,40
	192 8M 30	08M3019	6A	-	192	488,92	487,55	-	100,0	460	38	48	20	16,00

HTD® 8M-50

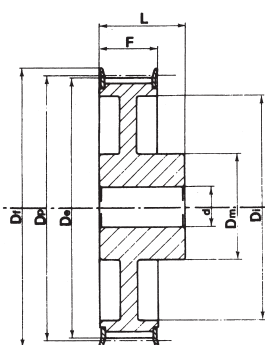
Caratteristiche Features Merkmale Características	Codice Code symbol Bezeichnung Code symbole Numero de fabrica	Nostro codice Our code Unser Code Notre code Nuestro codigo	Tipo Type Typ Type Tipo	Codice flangia Flange code Bordscheiben Typ Code flasque Código brida	N. denti N. of teeth Zähnezahl N. bre de dents Cantidad de dientes	Dp	De	Df	Dm	Di	F	L	d	Peso Weight / Gewicht Poids / Peso Kg
Acciaio / Steel / Stahl Acier / Acero	22 8M 50	08M5022	6F	FL053	22	56,02	54,65	60,0	43,0	-	60	70	12	1,00
	24 8M 50	08M5024	6F	FL069	24	61,12	59,75	66,0	45,0	-	60	70	12	1,23
	26 8M 50	08M5026	6F	FL061	26	66,21	64,84	70,0	48,0	-	60	70	15	1,50
	28 8M 50	08M5028	6F	FL079	28	71,30	69,93	75,0	50,0	-	60	70	15	1,67
	30 8M 50	08M5030	6F	FL073	30	76,39	75,02	83,0	55,0	-	60	70	15	1,97
	32 8M 50	08M5032	6F	FL076	32	81,49	80,16	87,0	60,0	-	60	70	15	2,27
	34 8M 50	08M5034	6F	FL066	34	86,58	85,22	91,0	70,0	-	60	70	15	2,69
	36 8M 50	08M5036	6F	FL068	36	91,67	90,30	97,0	75,0	-	60	70	15	2,97
	38 8M 50	08M5038	6F	FL070	38	96,77	95,39	102,0	75,0	-	60	70	15	3,23
	40 8M 50	08M5040	6F	FL077	40	101,86	100,49	106,0	75,0	-	60	70	18	3,50
	44 8M 50	08M5044	6F	FL075	44	112,05	110,67	120,0	75,0	-	60	70	18	3,90
	48 8M 50	08M5048	6F	FL078	48	122,23	120,86	128,0	75,0	-	60	70	18	4,30
	56 8M 50	08M5056	10WF	FL085	56	142,60	141,23	150,0	80,0	116	60	60	18	5,00
	64 8M 50	08M5064	10WF	FL090	64	162,97	161,60	168,0	80,0	137	60	60	18	5,60
72 8M 50	08M5072	10WF	FL097	72	183,35	181,97	192,0	80,0	158	60	60	18	6,80	
Ghisa / Cast iron Grauguss / Fonte Hierro fundido	80 8M 50	08M5080	10W	-	80	203,72	202,35	-	110,0	180	60	60	18	6,90
	90 8M 50	08M5090	10A	-	90	229,18	227,81	-	110,0	204	60	60	18	8,60
	112 8M 50	08M5011	10A	-	112	285,21	283,83	-	110,0	254	60	60	18	9,60
	144 8M 50	08M5014	10A	-	144	366,69	365,32	-	110,0	336	60	60	20	13,80
	168 8M 50	08M5016	10A	-	168	427,81	426,44	-	120,0	400	60	60	20	16,00
	192 8M 50	08M5019	10A	-	192	488,92	487,55	-	130,0	460	60	60	20	22,40

HTD® 8M-85

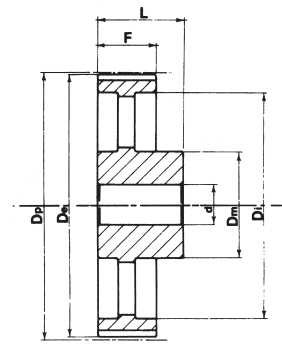
Caratteristiche Features Merkmale Características	Codice Code symbol Bezeichnung Code symbole Numero de fabrica	Nostro codice Our code Unser Code Notre code Nuestro codigo	Tipo Type Typ Type Tipo	Codice flangia Flange code Bordscheiben Typ Code flasque Código brida	N. denti N. of teeth Zähnezahl N. bre de dents Cantidad de dientes	Dp	De	Df	Dm	Di	F	L	d	Peso Weight / Gewicht Poids / Peso Kg
Acciaio / Steel / Stahl Acier / Acero	22 8M 85	08M8522	6F	FL053	22	56,02	54,65	60,0	43,0	-	95	105	12	1,55
	24 8M 85	08M8524	6F	FL069	24	61,12	59,75	66,0	45,0	-	95	105	12	1,90
	26 8M 85	08M8526	6F	FL061	26	66,21	64,84	70,0	48,0	-	95	105	12	2,25
	28 8M 85	08M8528	6F	FL079	28	71,30	69,93	75,0	50,0	-	95	105	15	2,55
	30 8M 85	08M8530	6F	FL073	30	76,39	75,02	83,0	55,0	-	95	105	15	3,00
	32 8M 85	08M8532	6F	FL076	32	81,49	80,16	87,0	60,0	-	95	105	15	3,57
	34 8M 85	08M8534	6F	FL066	34	86,58	85,22	91,0	66,0	-	95	105	15	4,00
	36 8M 85	08M8536	6F	FL068	36	91,67	90,30	97,0	70,0	-	95	105	15	4,50
	38 8M 85	08M8538	6F	FL070	38	96,77	95,39	102,0	75,0	-	95	105	15	5,00
	40 8M 85	08M8540	6F	FL077	40	101,86	100,49	106,0	75,0	-	95	105	18	5,20
	44 8M 85	08M8544	6F	FL075	44	112,05	110,67	120,0	75,0	-	95	105	18	6,60
	48 8M 85	08M8548	6F	FL078	48	122,23	120,86	128,0	80,0	-	95	105	18	7,00
	56 8M 85	08M8556	6F	FL085	56	142,60	141,23	150,0	90,0	-	95	105	18	10,00
	64 8M 85	08M8564	10WF	FL090	64	162,97	161,60	168,0	100,0	137	95	95	20	10,40
72 8M 85	08M8572	10WF	FL097	72	183,35	181,97	192,0	100,0	158	95	95	20	11,40	
Ghisa / Cast iron Grauguss / Fonte Hierro fundido	80 8M 85	08M8580	10W	-	80	203,72	202,35	-	110,0	180	95	95	20	11,10
	90 8M 85	08M8590	10A	-	90	229,18	227,81	-	110,0	204	95	95	20	12,20
	112 8M 85	08M8511	10A	-	112	285,21	283,83	-	110,0	254	95	95	24	15,00
	144 8M 85	08M8514	10A	-	144	366,69	365,32	-	110,0	336	95	95	24	21,50
	168 8M 85	08M8516	10A	-	168	427,81	426,44	-	120,0	400	95	95	24	24,10
	192 8M 85	08M8519	10A	-	192	488,92	487,55	-	130,0	460	95	95	24	30,60



Tipo / Type
6F



Tipo / Type
6WF



Tipo / Type
6A

HTD® 14M-40

Caratteristiche Features Merkmale Caractéristiques Características	Codice Code symbol Bezeichnung Code symbole Numero de fabrica	Nostro codice Our code Unser Code Notre code Nuestro código	Tipo Type Typ Type Tipo	Codice flangia Flange code Bordscheiben Typ Code flasque Código brida	N. denti N. of teeth Zähnezahl N. bre de dents Cantidad de dientes	Dp	De	Df	Dm	Di	F	L	d	Peso Weight / Gewicht Poids / Peso Kg
Acciaio / Steel / Stahl Acier / Acero	28 14M 40	14M4028	6F	FL153	28	124,78	122,12	128,0	100,0	-	54	69	24	4,73
	29 14M 40	14M4029	6F	FL154	29	129,23	126,57	138,0	100,0	-	54	69	24	5,09
	30 14M 40	14M4030	6F	FL154	30	133,69	130,99	138,0	100,0	-	54	69	24	5,45
	32 14M 40	14M4032	6F	FL160	32	142,60	139,88	154,0	100,0	-	54	69	24	6,17
	34 14M 40	14M4034	6F	FL166	34	151,52	148,79	160,0	100,0	-	54	69	24	6,88
	36 14M 40	14M4036	6F	FL168	36	160,43	157,68	168,0	100,0	-	54	69	24	7,60
	38 14M 40	14M4038	6F	FL172	38	169,34	166,60	183,0	120,0	-	54	69	24	8,28
	40 14M 40	14M4040	6F	FL162	40	178,25	175,49	188,0	120,0	-	54	69	24	9,26
Ghisa / Cast iron Grauguss / Fonte Hierro fundido	44 14M 40	14M4044	6F	FL175	44	196,08	193,28	211,0	120,0	-	54	69	24	10,32
	48 14M 40	14M4048	6WF	FL180	48	213,90	211,11	226,0	135,0	170	54	69	24	11,50
	56 14M 40	14M4056	6WF	FL182	56	249,55	246,76	256,0	135,0	207	54	69	28	13,05
	64 14M 40	14M4064	6WF	FL184	64	285,21	282,41	296,0	135,0	240	54	69	28	14,40
	72 14M 40	14M4072	6A	-	72	320,86	318,06	-	135,0	280	54	69	28	16,90
	80 14M 40	14M4080	6A	-	80	356,51	353,71	-	135,0	314	54	69	28	18,50
	90 14M 40	14M4090	6A	-	90	401,07	398,28	-	135,0	358	54	69	28	20,00
	112 14M 40	14M4011	6A	-	112	499,11	496,32	-	135,0	456	54	69	28	26,70
	144 14M 40	14M4014	6A	-	144	641,71	638,92	-	135,0	600	54	69	28	35,00
	168 14M 40	14M4016	6A	-	168	748,66	745,87	-	135,0	706	54	69	28	44,20
192 14M 40	14M4019	6A	-	192	855,62	852,82	-	135,0	813	54	69	28	52,20	
216 14M 40	14M4021	6A	-	216	962,57	959,76	-	150,0	920	54	69	28	62,50	

HTD® 14M-55

Caratteristiche Features Merkmal Características	Codice Code symbol Bezeichnung Code symbole Numero de fabrica	Nostro codice Our code Unser Code Notre code Nuestro codigo	Tipo Type Typ Type Tipo	Codice flangia Flange code Bordscheiben Typ Code flasque Código brida	N. denti N. of teeth Zähnezahl N. bre de dents Cantidad de dientes	Dp	De	Df	Dm	Di	F	L	d	Peso Weight / Gewicht Poids / Peso Kg	
Acciaio / Steel / Stahl Acier / Acero	con flangia / with flanges mit Flanges / avec flasques con tapetas	28 14M 55	14M5528	6F	FL153	28	124,78	122,12	128,0	100,0	-	70	85	24	5,60
		29 14M 55	14M5529	6F	FL154	29	129,23	126,57	138,0	100,0	-	70	85	24	6,10
		30 14M 55	14M5530	6F	FL154	30	133,69	130,99	138,0	100,0	-	70	85	24	6,60
		32 14M 55	14M5532	6F	FL160	32	142,60	139,88	154,0	100,0	-	70	85	24	7,60
		34 14M 55	14M5534	6F	FL166	34	151,52	148,79	160,0	100,0	-	70	85	24	8,60
		36 14M 55	14M5536	6F	FL168	36	160,43	157,68	168,0	100,0	-	70	85	24	9,60
		38 14M 55	14M5538	6F	FL172	38	169,34	166,60	183,0	120,0	-	70	85	24	10,80
		40 14M 55	14M5540	6F	FL162	40	178,25	175,49	188,0	120,0	-	70	85	24	11,20
		44 14M 55	14M5544	6F	FL175	44	196,08	193,28	211,0	120,0	-	70	85	24	12,50
Ghisa / Cast iron Grauguss / Fonte Hierro fundido	senza flangia / without flanges / ohne Flanschen sans flasques / sin tapetas	48 14M 55	14M5548	10WF	FL180	48	213,90	211,11	226,0	135,0	170	70	70	24	13,70
		56 14M 55	14M5556	10WF	FL182	56	249,55	246,76	256,0	135,0	207	70	70	28	14,50
		64 14M 55	14M5564	10WF	FL184	64	285,21	282,41	296,0	135,0	240	70	70	28	15,60
		72 14M 55	14M5572	10A	-	72	320,86	318,06	-	135,0	280	70	70	28	16,90
		80 14M 55	14M5580	10A	-	80	356,51	353,71	-	135,0	314	70	70	28	20,00
		90 14M 55	14M5590	10A	-	90	401,07	398,28	-	135,0	358	70	70	28	22,60
		112 14M 55	14M5511	10A	-	112	499,11	496,32	-	135,0	456	70	70	28	29,50
		144 14M 55	14M5514	10A	-	144	641,71	638,92	-	135,0	600	70	70	28	39,00
		168 14M 55	14M5516	10A	-	168	748,66	745,87	-	135,0	706	70	70	28	48,50
		192 14M 55	14M5519	10A	-	192	855,62	852,82	-	135,0	813	70	70	28	57,80
		216 14M 55	14M5521	10A	-	216	962,57	959,76	-	150,0	920	70	70	28	67,00

HTD® 14M-85

Caratteristiche Features Merkmal Características	Codice Code symbol Bezeichnung Code symbole Numero de fabrica	Nostro codice Our code Unser Code Notre code Nuestro codigo	Tipo Type Typ Type Tipo	Codice flangia Flange code Bordscheiben Typ Code flasque Código brida	N. denti N. of teeth Zähnezahl N. bre de dents Cantidad de dientes	Dp	De	Df	Dm	Di	F	L	d	Peso Weight / Gewicht Poids / Peso Kg	
Acciaio / Steel / Stahl Acier / Acero	con flangia / with flanges mit Flanges / avec flasques con tapetas	28 14M 85	14M8528	6F	FL153	28	124,78	122,12	128,0	100,0	-	102	117	24	7,70
		29 14M 85	14M8529	6F	FL154	29	129,23	126,57	138,0	100,0	-	102	117	24	8,40
		30 14M 85	14M8530	6F	FL154	30	133,69	130,99	138,0	100,0	-	102	117	24	9,10
		32 14M 85	14M8532	6F	FL160	32	142,60	139,88	154,0	100,0	-	102	117	24	10,50
		34 14M 85	14M8534	6F	FL166	34	151,52	148,79	160,0	100,0	-	102	117	24	11,90
		36 14M 85	14M8536	6F	FL168	36	160,43	157,68	168,0	100,0	-	102	117	32	13,20
		38 14M 85	14M8538	6F	FL172	38	169,34	166,60	183,0	120,0	-	102	117	32	15,15
		40 14M 85	14M8540	6F	FL162	40	178,25	175,49	188,0	135,0	-	102	117	32	17,10
		44 14M 85	14M8544	6F	FL175	44	196,08	193,28	211,0	135,0	-	102	117	32	23,30
Ghisa / Cast iron Grauguss / Fonte Hierro fundido	senza flangia / without flanges / ohne Flanschen sans flasques / sin tapetas	48 14M 85	14M8548	6F	FL180	48	213,90	211,11	226,0	150,0	-	102	117	32	25,00
		56 14M 85	14M8556	10WF	FL182	56	249,55	246,76	256,0	150,0	207	102	102	32	25,00
		64 14M 85	14M8564	10WF	FL184	64	285,21	282,41	296,0	150,0	240	102	102	32	30,50
		72 14M 85	14M8572	10A	-	72	320,86	318,06	-	150,0	278	102	102	32	28,80
		80 14M 85	14M8580	10A	-	80	356,51	353,71	-	150,0	314	102	102	32	30,10
		90 14M 85	14M8590	10A	-	90	401,07	398,28	-	150,0	358	102	102	32	33,00
		112 14M 85	14M8511	10A	-	112	499,11	496,32	-	150,0	456	102	102	32	41,80
		144 14M 85	14M8514	10A	-	144	641,71	638,92	-	150,0	600	102	102	32	52,40
		168 14M 85	14M8516	10A	-	168	748,66	745,87	-	150,0	706	102	102	32	60,30
		192 14M 85	14M8519	10A	-	192	855,62	852,82	-	165,0	813	102	102	32	70,20
		216 14M 85	14M8521	10A	-	216	962,57	959,76	-	160,0	920	102	102	32	81,00

Pulegge dentate per cinghie HTD® / Timing belt pulleys HTD®
HTD® Zahnriemenscheiben / Poulies dentées HTD®
Poleas para correas dentadas HTD®



HTD® 14M-115

Caratteristiche Features Merkmal Características	Codice Code symbol Bezeichnung Code symbole Numero de fabrica	Nostro codice Our code Unser Code Notre code Nuestro codigo	Tipo Type Typ Type Tipo	Codice flangia Flange code Bordscheiben Typ Code flasque Código brida	N. denti N. of teeth Zähnezahl N. bre de dents Cantidad de dientes	Dp	De	Df	Dm	Di	F	L	d	Peso Weight / Gewicht Poids / Peso Kg	
Acciaio / Steel / Stahl Acier / Acero	con flangia / with flanges mit Flanges / avec flasques con tapetas	28 14M 115	14M1128	6F	FL153	28	124,78	122,12	128,0	100,0	-	133	148	32	9,20
		29 14M 115	14M1129	6F	FL154	29	129,23	126,57	138,0	100,0	-	133	148	32	10,20
		30 14M 115	14M1130	6F	FL154	30	133,69	130,99	138,0	100,0	-	133	148	32	11,20
		32 14M 115	14M1132	6F	FL160	32	142,60	139,88	154,0	100,0	-	133	148	32	13,20
		34 14M 115	14M1134	6F	FL166	34	151,52	148,79	160,0	100,0	-	133	148	32	14,80
		36 14M 115	14M1136	6F	FL168	36	160,43	157,68	168,0	100,0	-	133	148	32	16,60
		38 14M 115	14M1138	6F	FL172	38	169,34	166,60	183,0	120,0	-	133	148	32	19,20
		40 14M 115	14M1140	6F	FL162	40	178,25	175,49	188,0	135,0	-	133	148	32	20,56
		44 14M 115	14M1144	6F	FL175	44	196,08	193,28	211,0	140,0	-	133	148	32	21,93
		48 14M 115	14M1148	6F	FL180	48	213,90	211,11	226,0	150,0	-	133	148	32	25,00
		56 14M 115	14M1156	6F	FL182	56	249,55	246,76	256,0	150,0	-	133	148	32	27,50
Ghisa / Cast iron Grauguss / Fonte Hierro fundido	senza flangia / without flanges / ohne Flanschen sans flasques / sin tapetas	64 14M 115	14M1164	10WF	FL184	64	285,21	282,41	296,0	150,0	240	133	133	32	30,10
		72 14M 115	14M1172	10A	-	72	320,86	318,06	-	150,0	278	133	133	32	32,83
		80 14M 115	14M1180	10A	-	80	356,51	353,71	-	150,0	314	133	133	32	35,55
		90 14M 115	14M1190	10A	-	90	401,07	398,28	-	150,0	358	133	133	32	41,00
		112 14M 115	14M1111	10A	-	112	499,11	496,32	-	150,0	456	133	133	32	54,40
		144 14M 115	14M1114	10A	-	144	641,71	638,92	-	165,0	600	133	133	32	67,80
		168 14M 115	14M1116	10A	-	168	748,66	745,87	-	165,0	706	133	133	32	75,80
		192 14M 115	14M1119	10A	-	192	855,62	852,82	-	165,0	813	133	133	32	88,30
		216 14M 115	14M1121	10A	-	216	962,57	959,76	-	165,0	920	133	133	32	98,00

HTD® 14M-170

Caratteristiche Features Merkmal Características	Codice Code symbol Bezeichnung Code symbole Numero de fabrica	Nostro codice Our code Unser Code Notre code Nuestro codigo	Tipo Type Typ Type Tipo	Codice flangia Flange code Bordscheiben Typ Code flasque Código brida	N. denti N. of teeth Zähnezahl N. bre de dents Cantidad de dientes	Dp	De	Df	Dm	Di	F	L	d	Peso Weight / Gewicht Poids / Peso Kg	
Acciaio / Steel / Stahl Acier / Acero	con flangia / with flanges mit Flanges / avec flasques con tapetas	28 14M 170	14M1728	6F	FL153	28	124,78	122,12	128,0	100,0	-	187	202	32	9,20
		29 14M 170	14M1729	6F	FL154	29	129,23	126,57	138,0	100,0	-	187	202	32	10,20
		30 14M 170	14M1730	6F	FL154	30	133,69	130,99	138,0	100,0	-	187	202	32	11,20
		32 14M 170	14M1732	6F	FL160	32	142,60	139,88	154,0	100,0	-	187	202	32	13,20
		34 14M 170	14M1734	6F	FL166	34	151,52	148,79	160,0	100,0	-	187	202	32	14,80
		36 14M 170	14M1736	6F	FL168	36	160,43	157,68	168,0	100,0	-	187	202	32	16,60
		38 14M 170	14M1738	6F	FL172	38	169,34	166,60	183,0	120,0	-	187	202	32	19,20
		40 14M 170	14M1740	6F	FL162	40	178,25	175,49	188,0	135,0	-	187	202	32	20,56
		44 14M 170	14M1744	6F	FL175	44	196,08	193,28	211,0	140,0	-	187	202	32	21,93
		48 14M 170	14M1748	6F	FL180	48	213,90	211,11	226,0	150,0	-	187	202	32	25,00
		56 14M 170	14M1756	6F	FL182	56	249,55	246,76	256,0	150,0	-	187	202	32	27,50
Ghisa / Cast iron Grauguss / Fonte Hierro fundido	senza flangia / without flanges / ohne Flanschen sans flasques / sin tapetas	64 14M 170	14M1764	10WF	FL184	64	285,21	282,41	296,0	150,0	240	187	187	32	30,10
		72 14M 170	14M1772	10A	-	72	320,86	318,06	-	150,0	278	187	187	32	32,83
		80 14M 170	14M1780	10A	-	80	356,51	353,71	-	150,0	314	187	187	32	35,55
		90 14M 170	14M1790	10A	-	90	401,07	398,28	-	150,0	358	187	187	32	41,00
		112 14M 170	14M1711	10A	-	112	499,11	496,32	-	150,0	456	187	187	32	54,40
		144 14M 170	14M1714	10A	-	144	641,71	638,92	-	165,0	600	187	187	32	67,80
		168 14M 170	14M1716	10A	-	168	748,66	745,87	-	165,0	706	187	187	32	75,80
		192 14M 170	14M1719	10A	-	192	855,62	852,82	-	165,0	813	187	187	32	88,30
		216 14M 170	14M1721	10A	-	216	962,57	959,76	-	165,0	920	187	187	32	98,00

Barre dentate HTD® / HTD® Standard toothed bars

HTD® Standard Zahnriemenstangen / Barreaux dentés standard HTD®

Barras dentadas de serie HTD®

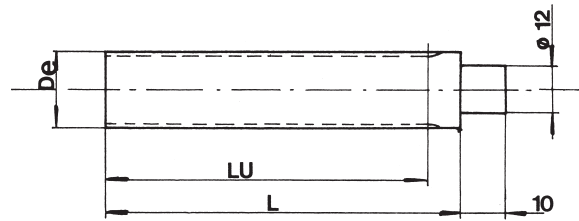
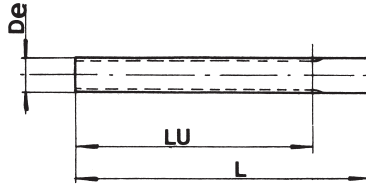
Materiale:
alluminio 6082 T6
UNI 9006/4 adatto al
trattamento anodico

Material:
aluminium 6082 T6
UNI 9006/4 suitable for
anodic treatment

Werkstoff:
aluminium 6082 T6
UNI 9006/4 geeignet für
anodischen oxydation

Matière:
aluminium 6082 T6
UNI 9006/4 apte au
traitement anodique

Material:
aluminio 6082 T6
UNI 9006/4 apto para la
oxidacion anodica



HTD® 3M

Codice Code symbol Bezeichnung Code symbole Numero de fabrica	Nostro codice Our code Unser Code Notre code Nuestro codigo	N. denti N. of teeth Zähnezahl N. bre de dents Cantidad de dientes	Dp	De	Lu	L
9 3M	B03M009	9	8,59	7,83	75	100
10 3M	B03M010	10	9,55	8,79	75	100
11 3M	B03M011	11	10,50	9,74	75	100
12 3M	B03M012	12	11,46	10,70	100	125
13 3M	B03M013	13	12,41	11,65	100	125
14 3M	B03M014	14	13,37	12,61	100	125
15 3M	B03M015	15	14,32	13,56	100	125
16 3M	B03M016	16	15,28	14,52	125	155
17 3M	B03M017	17	16,23	15,47	125	155
18 3M	B03M018	18	17,19	16,43	125	155
19 3M	B03M019	19	18,14	17,38	125	155
20 3M	B03M020	20	19,10	18,34	150	165
21 3M	B03M021	21	20,05	19,29	150	165
22 3M	B03M022	22	21,01	20,25	150	165
23 3M	B03M023	23	21,96	21,20	150	165
24 3M	B03M024	24	22,92	22,16	150	165
25 3M	B03M025	25	23,87	23,11	150	165
26 3M	B03M026	26	24,83	24,07	150	165
27 3M	B03M027	27	25,78	25,02	150	165
28 3M	B03M028	28	26,74	25,98	150	165
29 3M	B03M029	29	27,69	26,93	150	165
30 3M	B03M030	30	28,65	27,89	175	183
31 3M	B03M031	31	29,60	28,84	175	183
32 3M	B03M032	32	30,56	29,80	175	183
33 3M	B03M033	33	31,54	30,75	175	183
34 3M	B03M034	34	32,47	31,71	175	183
35 3M	B03M035	35	33,42	32,66	175	183
36 3M	B03M036	36	34,38	33,62	200	200
37 3M	B03M037	37	35,33	34,57	200	200
38 3M	B03M038	38	36,29	35,53	200	200
39 3M	B03M039	39	37,24	36,48	200	200
40 3M	B03M040	40	38,20	37,44	200	200
42 3M	B03M042	42	40,11	39,34	200	200
44 3M	B03M044	44	42,02	41,26	200	200
45 3M	B03M045	45	42,97	42,21	200	200
48 3M	B03M048	48	45,84	45,08	200	200
50 3M	B03M050	50	47,75	46,99	200	200
52 3M	B03M052	52	49,66	48,90	200	200
54 3M	B03M054	54	51,57	50,81	200	200
56 3M	B03M056	56	53,48	52,72	200	200
60 3M	B03M060	60	57,30	56,54	200	200
62 3M	B03M062	62	59,21	58,45	200	200
64 3M	B03M064	64	61,12	60,36	200	200
66 3M	B03M066	66	63,03	62,27	200	200
68 3M	B03M068	68	64,94	64,18	200	200
70 3M	B03M070	70	66,85	66,09	200	200
72 3M	B03M072	72	68,75	67,99	200	200

HTD® 5M

Codice Code symbol Bezeichnung Code symbole Numero de fabrica	Nostro codice Our code Unser Code Notre code Nuestro codigo	N. denti N. of teeth Zähnezahl N. bre de dents Cantidad de dientes	Dp	De	Lu	L
12 - 5M	B05M012	12	19,10	17,96	150	165
13 - 5M	B05M013	13	20,69	19,55	150	165
14 - 5M	B05M014	14	22,28	21,14	175	183
15 - 5M	B05M015	15	23,87	22,73	175	183
16 - 5M	B05M016	16	25,46	24,32	175	183
17 - 5M	B05M017	17	27,06	25,92	175	183
18 - 5M	B05M018	18	28,65	27,51	200	200
19 - 5M	B05M019	19	30,24	29,10	200	200
20 - 5M	B05M020	20	31,83	30,69	200	200
21 - 5M	B05M021	21	33,42	32,28	200	200
22 - 5M	B05M022	22	35,01	33,87	200	200
23 - 5M	B05M023	23	36,61	35,47	200	200
24 - 5M	B05M024	24	38,20	37,06	200	200
25 - 5M	B05M025	25	39,79	38,65	200	200
26 - 5M	B05M026	26	41,38	40,24	200	200
27 - 5M	B05M027	27	42,97	41,83	200	200
28 - 5M	B05M028	28	44,56	43,42	200	200
29 - 5M	B05M029	29	46,15	45,01	200	200
30 - 5M	B05M030	30	47,75	46,60	200	200
31 - 5M	B05M031	31	49,34	48,20	200	200
32 - 5M	B05M032	32	50,93	49,79	200	200
33 - 5M	B05M033	33	52,52	51,38	200	200
34 - 5M	B05M034	34	54,11	52,97	200	200
35 - 5M	B05M035	35	55,70	54,56	200	200
36 - 5M	B05M036	36	57,30	56,16	200	200
38 - 5M	B05M038	38	60,48	59,34	200	200
40 - 5M	B05M040	40	63,66	62,52	200	200
42 - 5M	B05M042	42	66,85	65,71	200	200
44 - 5M	B05M044	44	70,03	68,89	200	200
45 - 5M	B05M045	45	71,62	70,48	200	200
46 - 5M	B05M046	46	73,21	72,07	200	200
48 - 5M	B05M048	48	76,39	75,25	200	200
50 - 5M	B05M050	50	79,58	78,43	200	200
54 - 5M	B05M054	54	85,94	84,80	200	200
60 - 5M	B05M060	60	95,49	94,35	200	200
62 - 5M	B05M062	62	98,68	97,54	200	200
72 - 5M	B05M072	72	114,59	113,45	200	200