

**Freudenberg**  
**Sealing Technologies**  
Integral Accumulator GmbH & Co. KG  
Sinziger Straße 47  
53424 Remagen, Germany

Phone: +49 2642 933-0  
Fax: +49 2642 933-314  
E-mail: accumulators@fst.com

© 2019 Freudenberg SE, Weinheim,  
Germany

### **FREUDENBERG ACCUMULATOR PARTNER**

With a broad product range and a global support network of experts, Freudenberg is your single source for accumulators. We drive innovation with research, development and production teams integrated across our global operations to meet the demands of global and local markets.

Our preferred partners provide you with products and knowledge expertly, reliably and quickly – close to the customer worldwide.

71 EN 002 2.2 19.10 burabt



# **BLADDER ACCUMULATORS EUROPEAN STANDARD RANGE**

**FOR INDUSTRIAL APPLICATIONS**



# BLADDER ACCUMULATORS

SIZES FROM 1.0 L TO 50 L / PRESSURES UP TO 350 BAR

Freudenberg Sealing Technologies' Bladder Accumulators are designed for industrial and commercial fluid power applications. They use the relative compressibility of an inert gas versus a fluid, and are one of the most commonly used components in industrial and commercial fluid power systems worldwide. With sizes from 1.0 l to 50 l and pressures from up to 350 bar and a variety of optional port connections and bladder materials, they are utilized for a wide variety of applications. Our Bladder Accumulators are constructed of high strength seamless steel shells, with high grade elastomeric bladders, which are assembled in accordance with PED pressure vessel standards.

The bladder-type accumulator is highly resistant to fluid contaminants, and can be assembled to function in lower temperature environments if necessary.

## VALUES TO THE CUSTOMERS

- Standard product range available in stock and ready to ship
- Completely repairable
- Large varieties of different sizes, configurations and material
- Regular testing procedures to ensure and proof the products' high quality

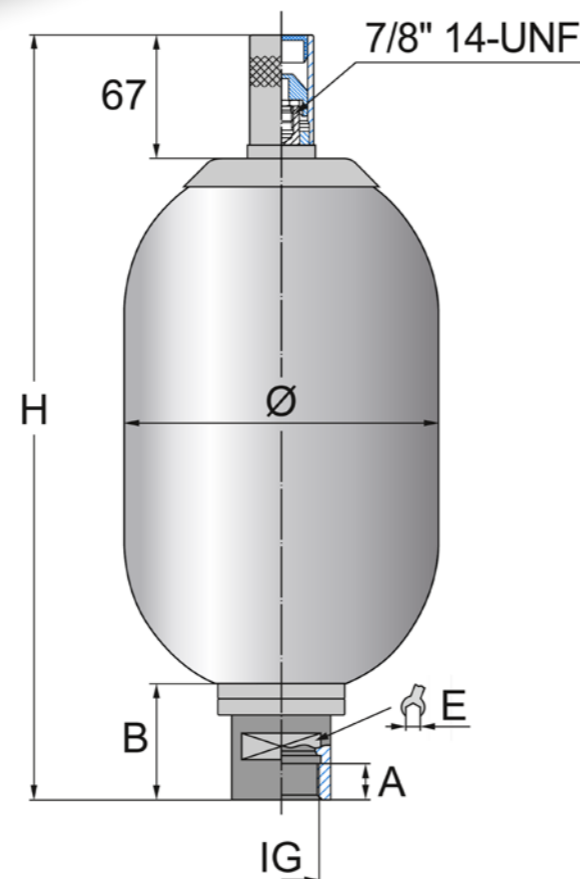
## APPLICATION

- Energy storage
- Shock or pulsation dampening
- Leakage compensation and thermal expansion
- Energy conservation/supplement pump flows
- Noise reduction, and improved fluid system response times

## CATALOG CONFIGURATIONS

Bladder Material <sup>1</sup>	Permissible Operating Temperature <sup>2</sup>
Acrylnitril-butadiene-rubber (NBR)	-20 °C to +80 °C

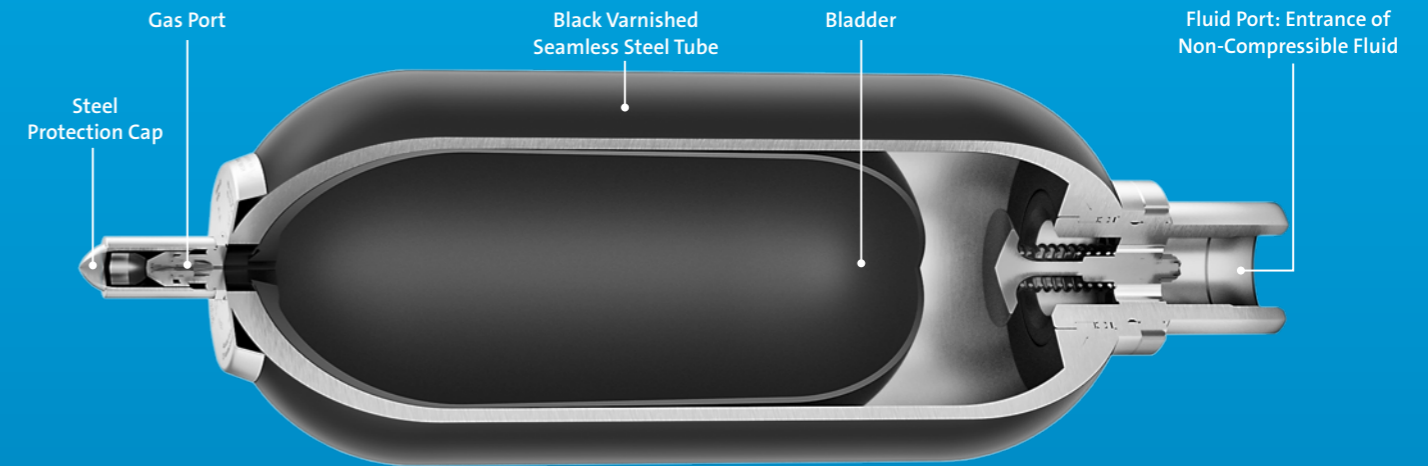
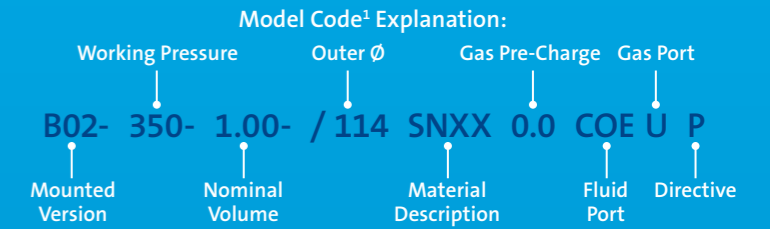
<sup>1</sup> Further material or design options are available on request  
<sup>2</sup> Depending on application limits of the steel housing and bladder material



# EUROPEAN STANDARD SERIES



With more than 60 years of accumulator experience we listed the mostly used Bladder Accumulator sizes and configurations. Further information and 3D models can also be found in our e-Catalog: <https://ecatalog.fst.com/seals/all/accumulator/>



## CATALOG CONFIGURATIONS

Housing Material	Bladder	Suggested Oil Type	Gas	Port <sup>1</sup>		Installation Position	Perm. Pressure Ratio	Directives	Documents <small>PED documents included</small>
				Fluid	Gas <sup>2</sup>				
Steel		Mineral based oil of PED fluid group 2	Nitrogen	G 3/4 G1 1/2 G2	7/8-14 UNF-2A	Preferable vertical	1:4	PED	• Declaration of Conformity/ • Manufacturer Certification • User Manual

## EXAMPLE RFQ<sup>4</sup>

Model Code	Fluid Port	Gas Pre-Charge Pressure [bar]	Operating Fluid / Temperature Range / Gas Port
B02-350-4.00-/168SNOOLOGUP	G1 1/2	20.00	Standard

Model Code with a gas pre-charge of 0 bar <sup>3</sup>	SAP Article No.	Volume [l]	Max. Working Pressure [bar]	Oil Port			Ø +/- 1.5 [mm]	Female Thread Screw-in Depth [mm] A	Height [mm] H	Bladder Material
				Hex E	Female Thread IG	Length +/- 2 [mm] B				
B02-350-1.00-/114SNXXCOEUP	49374493	1.0	350.0	SW 32	G 3/4	54.8	114.0	18.0	330.0	NBR
B02-350-2.50-/114SNOOLOGUP	49374491	2.5	350.0	SW 50	G1 1/2	63.5	114.0	24.0	540.0	NBR
B02-350-4.00-/168SNOOLOGUP	49373797	4.0	350.0	SW 50	G1 1/2	62.1	168.0	24.0	416.0	NBR
B02-350-5.00-/114SNOOLOGUP	49374492	5.0	350.0	SW 50	G1 1/2	63.5	114.0	24.0	890.0	NBR
B02-350-6.00-/168SNOOLOGUP	49374490	6.0	350.0	SW 50	G1 1/2	62.1	168.0	24.0	546.0	NBR
B02-330-10.00-/219SNOOMOUP	49373743	10.0	330.0	SW 70	G2	103.5	219.0	30.0	572.0	NBR
B02-330-12.00-/219SNOOMOUP	49374475	12.0	330.0	SW 70	G2	103.5	219.0	30.0	672.0	NBR
B02-330-20.00-/219SNOOMOUP	49374476	20.0	330.0	SW 70	G2	103.5	219.0	30.0	882.0	NBR
B02-330-24.00-/219SNOOMOUP	49374477	24.0	330.0	SW 70	G2	103.5	219.0	30.0	1,017.0	NBR
B02-330-32.00-/219SNOOMOUP	49374478	32.0	330.0	SW 70	G2	103.5	219.0	30.0	1,402.0	NBR
B02-330-50.00-/219SNOOMOUP	49374479	50.0	330.0	SW 70	G2	103.5	219.0	30.0	1,917.0	NBR

<sup>1</sup> Catalog articles do not contain a gas pre-charge. Please specify the gas filling pressure, when placing the order. The article short description and SAP number will then be adapted.  
<sup>2</sup> Further connections on request  
<sup>3</sup> Further directives on request available  
<sup>4</sup> Usage of engineering information sheet recommended. Can be found through our download center on fst.com.