

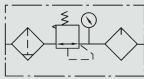
X2AC10~50 Series F.R.L Unit



订购码 | Ordering Code

X2AC	40	-	04	D
Model	Body Size		Port Size	Drain Type
	10 20 30 40 50		M5: M5 01: G1/8" 02: G1/4" 03: G3/8" 04: G1/2" 06: G3/4" 10: G1"	Blank: Differential Drain D: Automatic Drain

图形符号 | Graphic Symbol



规格 | Specification

型号 Model	X2AC10-M5	X2AC20-01	X2AC20-02	X2AC25-02	X2AC25-03	X2AC30-02	X2AC30-03	X2AC40-03	X2AC40-04	X2AC40-06	X2AC50-06	X2AC50-10	
额定流量 Rated Flow	90	500	500	1500	1500	2000	2000	4000	4000	4500	5000	5000	
接管口径 Joint Pipe Bore	M5	1/8	1/4	1/4	3/8	1/4	3/8	3/8	1/2	3/4	3/4	1	
过滤精度 Filter Precision	25 μm												
最高使用压力 Highest Working Pressure	1.0MPa												
保证耐压力 Ensured Pressure Resistance	1.5MPa												
使用温度范围 Operating Temperature Range	5~60℃												
调节压力范围 Range of Adjustable Pressure	0.05~0.7MPa		0.05~0.85MPa										
建议用油 Recommended Oil Use	ISO VG 32												
容器材料 Container Material	聚碳酸酯 Polycarbonate												
防护罩 Protective Cover	无 Not Available					有 Available							
放水器功能 Drain Function	差压放水 Differential Drain					差压放水、自动放水 Differential Drain, Automatic Drain							
阀型 Valve Type	带溢流型 With Overflow												
构成元件 Composing Elements	过滤器 Filter	X2AF10-M5	X2AF20-01	X2AF20-02	X2AF30-02	X2AF30-03	X2AF30-02	X2AF30-03	X2AF40-03	X2AF40-04	X2AF40-06	X2AF50-06	X2AF50-10
	调压阀 Regulator	X2AR10-M5	X2AR20-01	X2AR20-02	X2AR25-02	X2AR25-03	X2AR30-02	X2AR30-03	X2AR40-03	X2AR40-04	X2AR40-06	X2AR50-06	X2AR50-10
	油雾器 Lubricator	X2AL10-M5	X2AL20-01	X2AL20-02	X2AL30-02	X2AL30-03	X2AL30-02	X2AL30-03	X2AL40-03	X2AL40-04	X2AL40-06	X2AL50-06	X2AL50-10

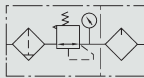
X2AC10A~50A Series FR.L Unit



订购码 | Ordering Code

X2AC	40A	—	04	D
Model	Body Size		Port Size	Drain Type
	10A 20A 30A 40A 50A		M5: M5 01: G1/8" 02: G1/4" 03: G3/8" 04: G1/2" 06: G3/4" 10: G1"	Blank: Differential Drain D: Automatic Drain

图形符号 | Graphic Symbol



规格 | Specification

型号 Model	X2AC10A-M5	X2AC20A-01	X2AC20A-02	X2AC30A-02	X2AC30A-03	X2AC40A-03	X2AC40A-04	X2AC40A-06	X2AC50A-06	X2AC50A-10	
额定流量 Rated Flow	90	500	500	1700	1700	3000	3000	3000	4000	4000	
接管口径 Joint Pipe Bore	M5	1/8	1/4	1/4	3/8	3/8	1/2	3/4	3/4	1	
过滤精度 Filter Precision	25 μm										
最高使用压力 Highest Working Pressure	1.0MPa										
保证耐压力 Ensured Pressure Resistance	1.5MPa										
使用温度范围 Operating Temperature Range	5~60℃										
调节压力范围 Range of Adjustable Pressure	0.05~0.7MPa	0.05~0.85MPa									
建议用油 Recommended Oil Use	ISO VG 32										
容器材料 Container Material	聚碳酸酯 Polycarbonate										
防护罩 Protective Cover	无 Not Available				有 Available						
放水器功能 Drain Function	差压放水 Differential Drain				差压放水、自动放水 Differential Drain, Automatic Drain						
阀型 Valve Type	带溢流型 With Overflow										
构成元件 Composing Elements	过滤调压阀 Filter & Regulator	X2AW10-M5	X2AW20A-01	X2AW20-02	X2AW30-02	X2AW30-03	X2AW40-03	X2AW40-04	X2AW40-06	X2AW50-06	X2AW50-10
	油雾器 Lubricator	X2AL10-M5	X2AL20-01	X2AL20-02	X2AL30-02	X2AL30-03	X2AL40-03	X2AL40-04	X2AL40-06	X2AL50-06	X2AL50-10

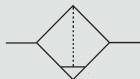
X2AF10~50 Series Air Filter



订购码 | Ordering Code

X2AF	40	—	04	D
Model	Body Size		Port Size	Drian Type
	10 20 30 40 50		M5: M5 01: G1/8" 02: G1/4" 03: G3/8" 04: G1/2" 06: G3/4" 10: G1"	Blank: Differential Drain D: Automatic Drain

图形符号 | Graphic Symbol



规格 | Specification

型号 Model	X2AF10-M5	X2AF20-01	X2AF20-02	X2AF30-02	X2AF30-03	X2AF40-03	X2AF40-04	X2AF40-06	X2AF50-06	X2AF50-10	
额定流量 Rated Flow	110	750	750	1500	1500	4000	4000	6000	7000	7000	
接管口径 Joint Pipe Bore	M5	1/8	1/4	1/4	3/8	3/8	1/2	3/4	3/4	1	
过滤精度 Filter Precision	25 μm										
最高使用压力 Highest Working Pressure	1.0MPa										
保证耐压力 Ensured Pressure Resistance	1.5MPa										
使用温度范围 Operating Temperature Range	5~60℃										
容器材料 Range of Adjustable Pressure	聚碳酸酯 Polycarbonate										
防护罩 Protective Cover	无 Not Available				有 Available						
放水器功能 Drain Function	差压放水 Differential Drain				差压放水、自动放水 Differential Drain, Automatic Drain						

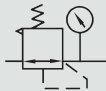
X2AR10~50 Series Air Regulator



订购码 | Ordering Code

X2AR	40	-	04
Model	Body Size		Port Size
	10		M5: M5
	20		01: G1/8"
	30		02: G1/4"
	40		03: G3/8"
	50		04: G1/2"
			06: G3/4"
			10: G1"

图形符号 | Graphic Symbol



规格 | Specification

型号 Model	X2AR10	X2AR20	X2AR20	X2AR25	X2AR25	X2AR30	X2AR30	X2AR40	X2AR40	X2AR40	X2AR50	X2AR50
	-M5	-01	-02	-02	-03	-02	-03	-03	-04	-06	-06	-10
额定流量 Rated Flow	100	550	550	2000	2000	2500	2500	6000	6000	6000	8000	8000
接管口径 Joint Pipe Bore	M5	1/8	1/4	1/4	3/8	1/4	3/8	3/8	1/2	3/4	3/4	1
最高使用压力 Highest Working Pressure	1.0MPa											
保证耐压力 Ensured Pressure Resistance	1.5MPa											
使用温度范围 Operating Temperature Range	5~60℃											
调节压力范围 Range of Adjustable Pressure	0.05~0.7MPa		0.05~0.85MPa									
阀型 Valve Type	带溢流型 With Overflow											

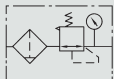
X2AW10~50 Series Filter & Regulator



订购码 | Ordering Code

X2AW	40	-	04	D
Model	Body Size		Port Size	Drain Type
	10		M5: M5	Blank: Differential Drain
	20		01: G1/8"	D: Automatic Drain
	30		02: G1/4"	
	40		03: G3/8"	
	50		04: G1/2"	
			06: G3/4"	
			10: G1"	

图形符号 | Graphic Symbol



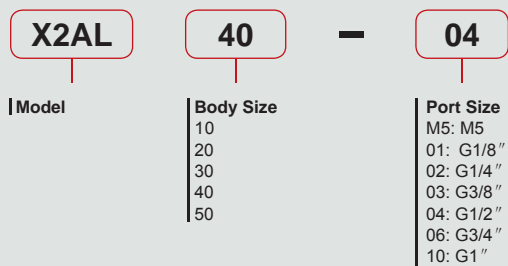
规格 | Specification

型号 Model	X2AW10-M5	X2AW20-01	X2AW20-02	X2AW30-02	X2AW30-03	X2AW40-03	X2AW40-04	X2AW40-06	X2AW50-06	X2AW50-10
额定流量 Rated Flow	100	550	550	2000	2000	4000	4000	4500	5500	5500
接管口径 Joint Pipe Bore	M5	1/8	1/4	1/4	3/8	3/8	1/2	3/4	3/4	1
过滤精度 Filter Precision	25 μm									
最高使用压力 Highest Working Pressure	1.0MPa									
保证耐压力 Ensured Pressure Resistance	1.5MPa									
使用温度范围 Operating Temperature Range	5~60℃									
调节压力范围 Range of Adjustable Pressure	0.05~0.7MPa		0.05~0.85MPa							
容器材料 Container Material	聚碳酸酯 Polycarbonate									
防护罩 Protective Cover	无 Not Available				有 Available					
放水器功能 Drain Function	差压放水 Differential Drain				差压放水、自动放水 Differential Drain, Automatic Drain					
阀型 Valve Type	带溢流型 With Overflow									

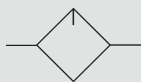
X2AL 10~50 Series Lubricator



订购码 | Ordering Code



图形符号 | Graphic Symbol



规格 | Specification

型号 Model	X2AL10-M5	X2AL20-01	X2AL20-02	X2AL30-02	X2AL30-03	X2AL40-03	X2AL40-04	X2AL40-06	X2AL50-06	X2AL50-10
额定流量 Rated Flow	95	800	800	1700	1700	5000	5000	6300	7000	7000
接管口径 Joint Pipe Bore	M5	1/8	1/4	1/4	3/8	3/8	1/2	3/4	3/4	1
最高使用压力 Highest Working Pressure	1.0MPa									
保证耐压力 Ensured Pressure Resistance	1.5MPa									
使用温度范围 Operating Temperature Range	5~60℃									
建议用油 Suggested Lube	ISO VG 32									
容器材料 Container Material	聚碳酸脂 Polycarbonate									
防护罩 Protective Cover	无 Not Available				有 Available					

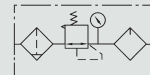
B	C	D
41	70	70
39	70	70
45	90	90

SUPERMECH

XAC1000 ~ 5000系列空气过滤组合 (三联件) XAC1000~5000 Series Air Filter Combination (F.R.L Combination)



图形符号 | Graphic Symbol



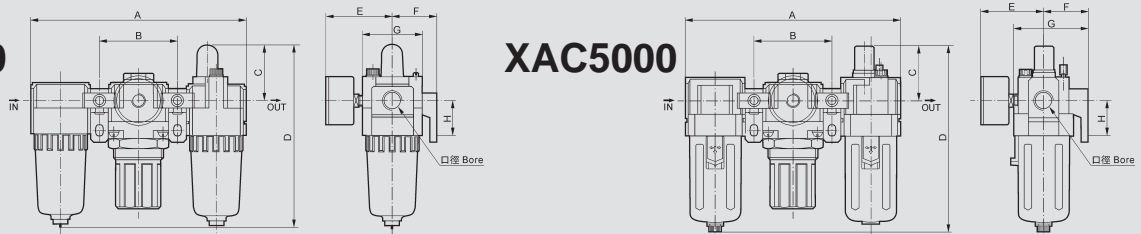
订购码 | Ordering Code

XAC	4000	-	04	D
系列代码 XAC系列 Model XAC Series	规格代号 Body Size 1000 2000 2500 3000 4000 5000		接管口径 Port Size M5: M5 X 0.8 01: G1/8" 02: G1/4" 03: G3/8" 04: G1/2" 06: G3/4" 10: G1"	排水方式 Drain Type 空白: 差压排水 Blank:Differential Drain D: 自动排水 Automatic Drain

规格 | Specification

型号 Model	XAC1000-M5	XAC2000-01	XAC2000-02	XAC2500-02	XAC2500-03	XAC3000-02	XAC3000-03	XAC4000-03	XAC4000-04	XAC4000-06	XAC5000-06	XAC5000-10	
额定流量 Rated Flow	90	500	500	1500	1500	2000	2000	4000	4000	4500	5000	5000	
接管口径 Joint Pipe Bore	M5	1/8	1/4	1/4	3/8	1/4	3/8	3/8	1/2	3/4	3/4	1	
过滤精度 Filter Precision	25 μm												
最高使用压力 Highest Working Pressure	1.0MPa												
保证耐压力 Ensured Pressure Resistance	1.5MPa												
使用温度范围 Operating Temperature Range	5~60℃												
调节压力范围 Range of Adjustable Pressure	0.05~0.7MPa		0.05~0.85MPa										
建议用油 Recommended Oil Use	ISO VG 32												
容器材料 Container Material	聚碳酸酯 Polycarbonate												
防护罩 Protective Cover	无 Not Available						有 Available						
放水器功能 Drain Function	差压放水 Differential Drain						差压放水、自动放水 Differential Drain, Automatic Drain						
阀型 Valve Type	带溢流型 With Overflow												
构成元件 Composing Elements	过滤器 Filter	XAF1000-M5	XAF2000-01	XAF2000-02	XAF3000-02	XAF3000-03	XAF3000-02	XAF3000-03	XAF4000-03	XAF4000-04	XAF4000-06	XAF5000-06	XAF5000-10
	调压阀 Regulator	XAR1000-M5	XAR2000-01	XAR2000-02	XAR2500-02	XAR2500-03	XAR3000-02	XAR3000-03	XAR4000-03	XAR4000-04	XAR4000-06	XAR5000-06	XAR5000-10
	油雾器 Lubricator	XAL1000-M5	XAL2000-01	XAL2000-02	XAL3000-02	XAL3000-03	XAL3000-02	XAL3000-03	XAL4000-03	XAL4000-04	XAL4000-06	XAL5000-06	XAL5000-10

外形尺寸 | Overall Dimension



尺寸表 | Dimension Sheet

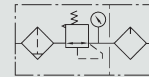
型号 Model	口径 Bore	A	B	C	D	E	F	G	H	型号 Model	口径 Bore	A	B	C	D	E	F	G	H
XAC1000	M5	91	33	25.5	84.5	26	25	25	20	XAC4000	3/8~1/2	238	84	41	191.5	65.5	50	70	40
XAC2000	1/8~1/4	140	50	38	125	56.8	30	40	24	XAC4000-06	3/4	253	89	41	193	69.5	50	70	40
XAC2500	1/4~3/8	181	64	38	156.5	60.8	41	53	35	XAC5000	3/4~1	300	105	48	271.5	75.5	69.8	90	50
XAC3000	1/4~3/8	181	64	38	156.5	60.8	41	53	35										

CAC1010 ~ 5010系列空气过滤组合 (二联件)

XAC1010~5010 Series Air Filter Combination (FR.L Combination)



图形符号 | Graphic Symbol



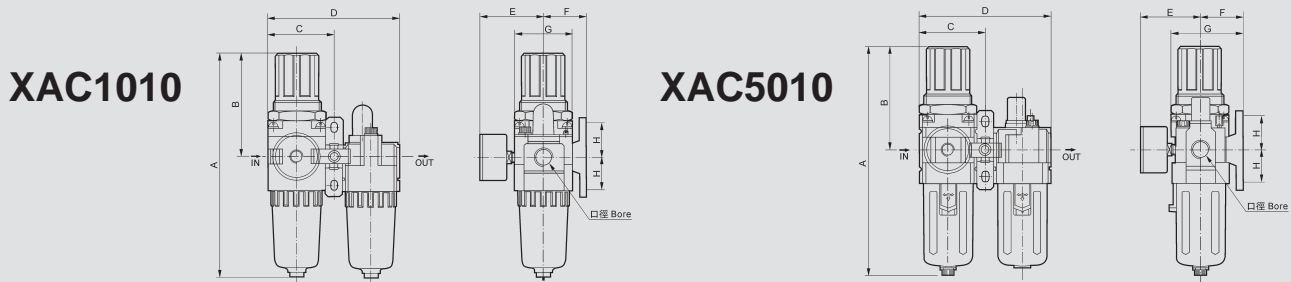
订购码 | Ordering Code

XAC	4010	-	04	D
系列代码 XAC系列 Model XAC Series	规格代号 Body Size 1010 2010 3010 4010 5010		接管口径 Port size M5: M5 X 0.8 01: G1/8" 02: G1/4" 03: G3/8" 04: G1/2" 06: G3/4" 10: G1"	排水方式 Drian Type 空白: 差压排水 Blank:Differential Drain D: 自动排水 Automatic Drain

规格 | Specification

型号 Model	XAC1010-M5	XAC2010-01	XAC2010-02	XAC3010-02	XAC3010-03	XAC4010-03	XAC4010-04	XAC4010-06	XAC5010-06	XAC5010-10	
额定流量 Rated Flow	90	500	500	1700	1700	3000	3000	3000	4000	4000	
接管口径 Joint Pipe Bore	M5	1/8	1/4	1/4	3/8	3/8	1/2	3/4	3/4	1	
过滤精度 Filter Precision	25 μm										
最高使用压力 Highest Working Pressure	1.0MPa										
保证耐压力 Ensured Pressure Resistance	1.5MPa										
使用温度范围 Operating Temperature Range	5~60℃										
调节压力范围 Range of Adjustable Pressure	0.05~0.7MPa		0.05~0.85MPa								
建议用油 Recommended Oil Use	ISO VG 32										
容器材料 Container Material	聚碳酸酯 Polycarbonate										
防护罩 Protective Cover	无 Not Available					有 Available					
放水器功能 Drain Function	差压放水 Differential Drain					差压放水、自动放水 Differential Drain, Automatic Drain					
阀型 Valve Type	带溢流型 With Overflow										
构成元件 Composing Elements	过滤调压阀 Filter & Regulator	XAW1000-M5	XAW2000-01	XAW2000-02	XAW3000-02	XAW3000-03	XAW4000-03	XAW4000-04	XAW4000-06	XAW5000-06	XAW5000-10
	油雾器 Lubricator	XAL1000-M5	XAL2000-01	XAL2000-02	XAL3000-02	XAL3000-03	XAL4000-03	XAL4000-04	XAL4000-06	XAL5000-06	XAL5000-10

外形尺寸 | Overall Dimension



尺寸表 | Dimension Sheet

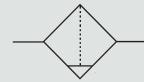
型号 Model	口径 Bore	A	B	C	D	E	F	G	H	型号 Model	口径 Bore	A	B	C	D	E	F	G	H
XAC1010	M5	109.5	50.5	29	58	26	25	25	20	XAC4010	3/8~1/2	262	112	77	154	70.5	41	70	40
XAC2010	1/8~1/4	164.5	78	45	90	56.8	30	40	24	XAC4010-06	3/4	267	114	82	164	70.5	50	70	40
XAC3010	1/4~3/8	211	92.5	58.5	117	60.8	41	53	35	XAC5010	3/4~1	338	116	97.5	195	75.5	69.8	90	50

SUPERMECH

XAF1000 ~ 5000系列空气过滤器 XAF1000~5000 Series Air Filter



图形符号 | Graphic Symbol



订购码 Ordering Code

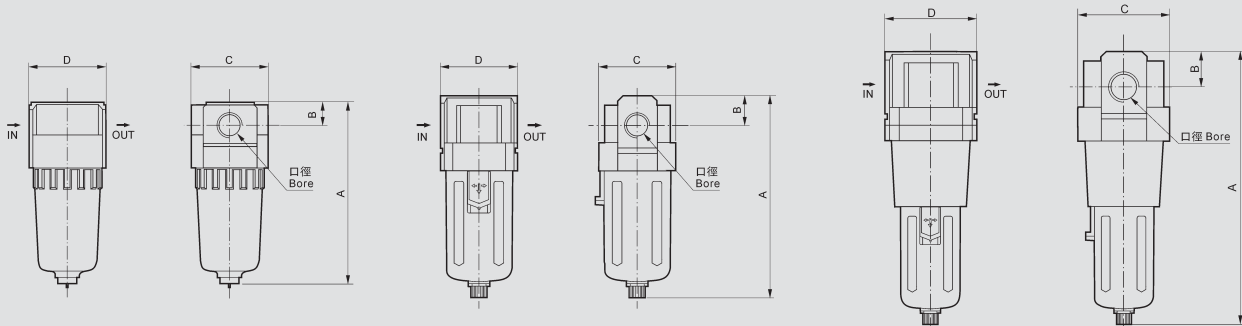
XAF	4000	-	04	D
系列代码 XAF系列 Model XAF Series	规格代号 Body Size 1000 2000 2500 3000 4000 5000		接管口径 Port size M5: M5 X 0.8 01: G1/8" 02: G1/4" 03: G3/8" 04: G1/2" 06: G3/4" 10: G1"	排水方式 Drian Type 空白: 差压排水 Differential Drain D: 自动排水 Automatic Drain

规格 | Specification

型号 Model	XAF1000-M5	XAF2000-01	XAF2000-02	XAF3000-02	XAF3000-03	XAF4000-03	XAF4000-04	XAF4000-06	XAF5000-06	XAF5000-10
额定流量 Rated Flow	110	750	750	1500	1500	4000	4000	6000	7000	7000
接管口径 Joint Pipe Bore	M5	1/8	1/4	1/4	3/8	3/8	1/2	3/4	3/4	1
过滤精度 Filter Precision	25 μm									
最高使用压力 Highest Working Pressure	1.0MPa									
保证耐压力 Ensured Pressure Resistance	1.5MPa									
使用温度范围 Operating Temperature Range	5~60℃									
容器材料 Range of Adjustable Pressure	聚碳酸脂 Polycarbonate									
防护罩 Protective Cover	无 Not Available					有 Available				
放水器功能 Drain Function	差压放水 Differential Drain					差压放水、自动放水 Differential Drain, Automatic Drain				

外形尺寸 | Overall Dimension

XAF 1000~5000



尺寸表 | Dimension Sheet

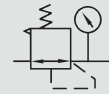
型号 Model	口径 Bore	A	B	C	D	型号 Model	口径 Bore	A	B	C	D
XAF1000	M5	66	7	25	-	XAF4000	3/8~1/2	168.5	18	70	70
XAF2000	1/8~1/4	97.5	11	40	40	XAF4000-06	3/4	172.5	20	70	70
XAF3000	1/4~3/8	132.5	14	53	53	XAF5000	3/4~1	247.5	24	90	90

XAR1000 ~ 5000系列减压阀

XAR1000~5000 Series Regulator



图形符号 | Graphic Symbol



订购码 | Ordering Code

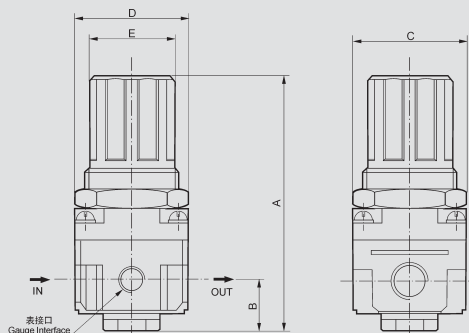
XAR	4000	-	04
系列代码 XAR系列 Model XAR Series	规格代号 Body size 1000 2000 2500 3000 4000 5000		接管口径 Port size M5: M5 X 0.8 01: G1/8" 02: G1/4" 03: G3/8" 04: G1/2" 06: G3/4" 10: G1"

规格 | Specification

型号 Model	XAR1000	XAR2000	XAR2000	XAR2500	XAR2500	XAR3000	XAR3000	XAR4000	XAR4000	XAR4000	XAR5000	XAR5000
	-M5	-01	-02	-02	-03	-02	-03	-03	-04	-06	-06	-10
额定流量 Rated Flow	100	550	550	2000	2000	2500	2500	6000	6000	6000	8000	8000
接管口径 Joint Pipe Bore	M5	1/8	1/4	1/4	3/8	1/4	3/8	3/8	1/2	3/4	3/4	1
最高使用压力 Highest Working Pressure	1.0MPa											
保证耐压力 Ensured Pressure Resistance	1.5MPa											
使用温度范围 Operating Temperature Range	5~60℃											
调节压力范围 Range of Adjustable Pressure	0.05~0.7MPa		0.05~0.85MPa									
阀型 Valve Type	带溢流型 With Overflow											

外形尺寸 | Overall Dimension

XAR 1000~5000



尺寸表 | Dimension Sheet

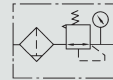
型号 Model	口径 Bore	A	B	C	D	E
XAR1000	M5	61.5	11	25	25	28
XAR2000	1/8~1/4	95	17	40	40	34
XAR2500	1/4~3/8	102.5	25	48	53	34
XAR3000	1/4~3/8	127.5	35	53	53	40
XAR4000	3/8~1/2	149.5	37.5	70	70	54
XAR4000-06	3/4	154	40.5	70	75	54
XAR5000	3/4~1	168	48	90	90	54

SUPERMECH

XAW1000 ~ 5000系列过滤减压阀 XAW1000~5000 Series Filter & Regulator



图形符号 | Graphic Symbol



订购码 | Ordering Code

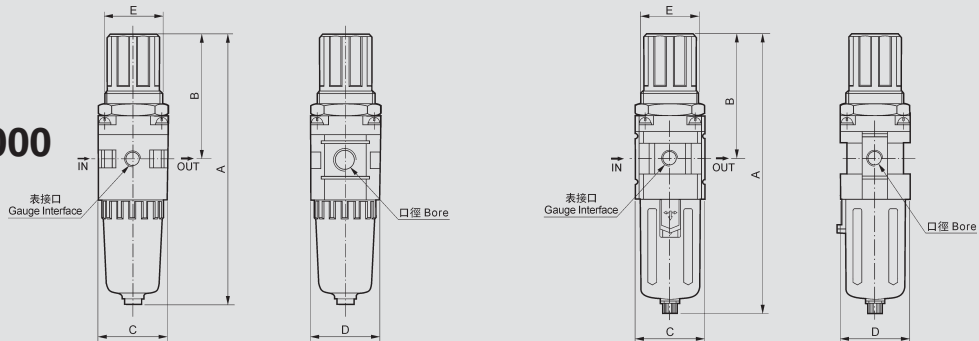
XAW	4000	-	04	D
系列代码 XAW系列 Model XAW Series	规格代号 Body size 1000 2000 2500 3000 4000 5000		接管口径 Port size M5: M5 X 0.8 01: G1/8" 02: G1/4" 03: G3/8" 04: G1/2" 06: G3/4" 10: G1"	排水方式 Drain Type 空白: 差压排水 Blank:Differential Drain D: 自动排水 Automatic Drain

规格 | Specification

型号 Model	XAW1000-M5	XAW2000-01	XAW2000-02	XAW3000-02	XAW3000-03	XAW4000-03	XAW4000-04	XAW4000-06	XAW5000-06	XAW5000-10
额定流量 Rated Flow	100	550	550	2000	2000	4000	4000	4500	5500	5500
接管口径 Joint Pipe Bore	M5	1/8	1/4	1/4	3/8	3/8	1/2	3/4	3/4	1
过滤精度 Filter Precision	25 μm									
最高使用压力 Highest Working Pressure	1.0MPa									
保证耐压力 Ensured Pressure Resistance	1.5MPa									
使用温度范围 Operating Temperature Range	5~60℃									
调节压力范围 Range of Adjustable Pressure	0.05~0.7MPa		0.05~0.85MPa							
容器材料 Container Material	聚碳酸酯 Polycarbonate									
防护罩 Protective Cover	无 Not Available					有 Available				
放水器功能 Drain Function	差压放水 Differential Drain					差压放水、自动放水 Differential Drain, Automatic Drain				
阀型 Valve Type	带溢流型 With Overflow									

外形尺寸 | Overall Dimension

XAW 1000~5000



尺寸表 | Dimension Sheet

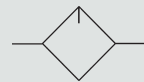
型号 Model	口径 Bore	A	B	C	D	E	型号 Model	口径 Bore	A	B	C	D	E
XAW1000	M5	109.5	50.5	25	28	28	XAW4000	3/8~1/2	262	112	70	70	54
XAW2000	1/8~1/4	164.5	78	40	40	34	XAW4000-06	3/4	267	114	70	70	54
XAW3000	1/4~3/8	211	92.5	53	53	40	XAW5000	3/4~1	338	116	90	90	54

XAL1000 ~ 5000系列油雾器

XAL1000~5000 Series Lubricator



图形符号 | Graphic Symbol



订购码 | Ordering Code

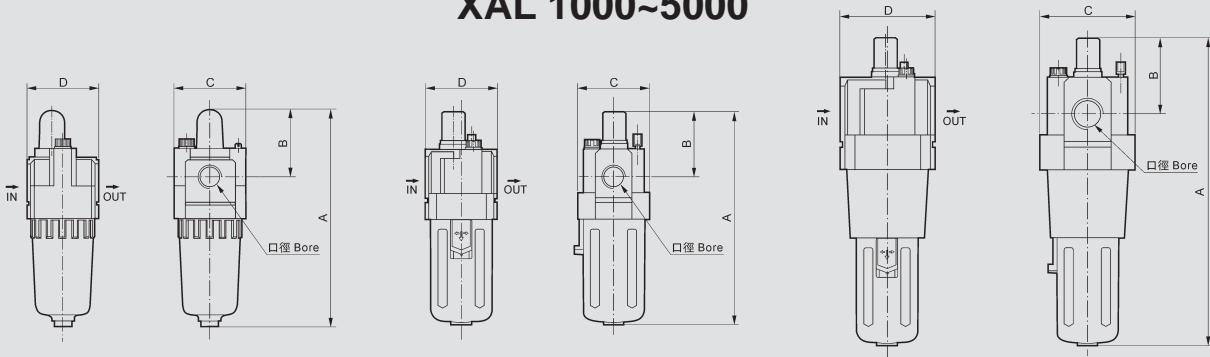
XAL		4000		04
系列代码 XAL系列 Model XAL Series		规格代号 Body size 1000 2000 2500 3000 4000 5000		接管口径 Port size M5: M5 X 0.8 01: G1/8" 02: G1/4" 03: G3/8" 04: G1/2" 06: G3/4" 10: G1"

规格 | Specification

型号 Model	XAL1000-M5	XAL2000-01	XAL2000-02	XAL3000-02	XAL3000-03	XAL4000-03	XAL4000-04	XAL4000-06	XAL5000-06	XAL5000-10
额定流量 Rated Flow	95	800	800	1700	1700	5000	5000	6300	7000	7000
接管口径 Joint Pipe Bore	M5	1/8	1/4	1/4	3/8	3/8	1/2	3/4	3/4	1
最高使用压力 Highest Working Pressure	1.0MPa									
保证耐压力 Ensured Pressure Resistance	1.5MPa									
使用温度范围 Operating Temperature Range	5~60℃									
建议用油 Suggested Lube	ISO VG 32									
容器材料 Container Material	聚碳酸酯 Polycarbonate									
防护罩 Protective Cover	无 Not Available					有 Available				

外形尺寸 | Overall Dimension

XAL 1000~5000



尺寸表 | Dimension Sheet

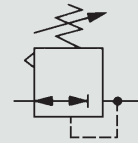
型号 Model	口径 Bore	A	B	C	D	型号 Model	口径 Bore	A	B	C	D
XAL1000	M5	81.5	25.5	25	-	XAL4000	3/8~ 1/2	177	41	70	70
XAL2000	1/8~ 1/4	122	38	40	40	XAL4000-06	3/4	177	39	70	70
XAL3000	1/4~ 3/8	142	38	53	53	XAL5000	3/4~ 1	254	45	90	90

R07系列管式调压阀

R07 Series General Purpose Regulator 1/8 " and 1/4 " Port Sizes



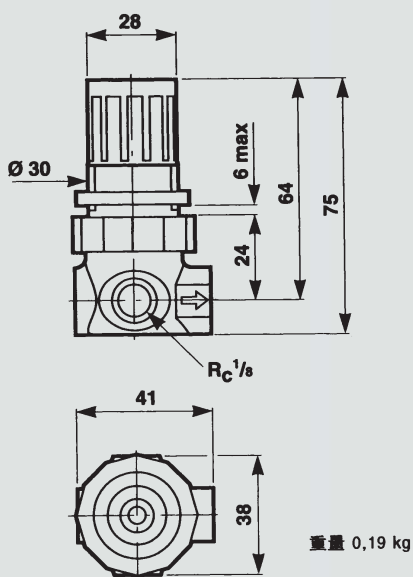
图形符号 Graphic Symbol



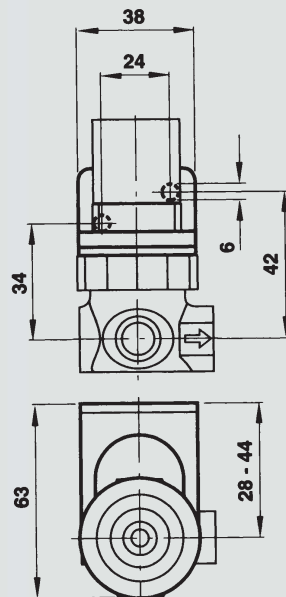
规格 Specification

介质 Medium	压缩空气 Compressed Air
进口压力 Inlet Pressure Condition	0~10bar
压力表接口 Pressure Gauge Bore	Rc1/8
工作环境温度 Temperature Condition	-20~50℃
本体材质 Body Material	Zinc Alloy

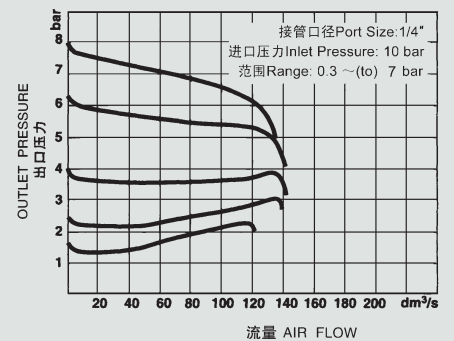
外形尺寸 Overall Dimension



支架安装 Bracket Installation



流量特性 Discharge Characteristic

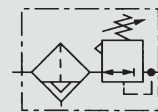


B07系列管式过滤器-调压阀

B07 Series Tubular Type Filter-Regulator 1/8 " and 1/4 " Port Sizes



图形符号Graphic Symbol



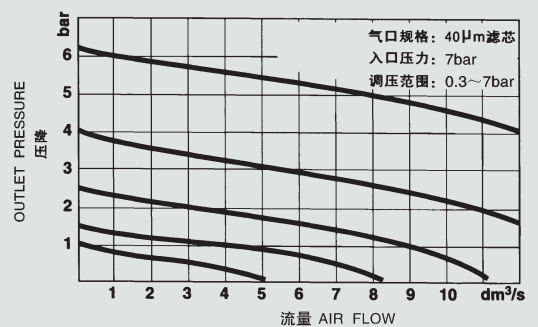
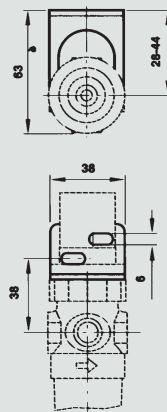
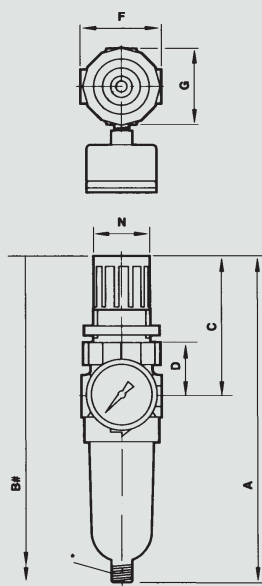
规格Specification

介质 Medium	压缩空气 Compressed Air
进口压力 Inlet Pressure Condition	0~10bar (透明杯/Transparent Bowl)
压力表接口 Pressure Gauge Bore	Rc1/8
工作环境温度 Temperature Condition	透明杯/Transparent Bowl: -20~50°C
本体材质 Body Material	Zinc Alloy

外形尺寸Overall Dimension

支架安装Bracket Installation

流量特性Discharge Characteristic



*拆卸杯子所需要最小间隙。*1/8BSP排放接头
* Minimum clearance required to remove bowl
* 1/8BSP discharge fitting

规格 Specification	排放 Discharge	A	B	C	D	F	G	面板孔 Panel Hole	面板厚度 Panel Ply	Kg
G1/8,G1/4	自动 Auto	160	210	68	28	41	38	30	0~6	0.26
G1/8,G1/4	手动 Manual	164	214	68	28	41	38	30	0~6	0.26

L07微型系列润滑器

L07 Series Lubricator 1/8" and 1/4" Port Sizes



订购码 Ordering Code

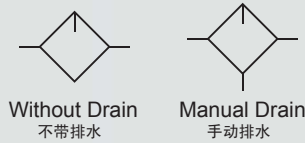
L07 - **02** - **G**

Model

Port Size
01: 1/8"
02: 1/4"

Thread
B: ISO Rc taper
G: ISO G parallel

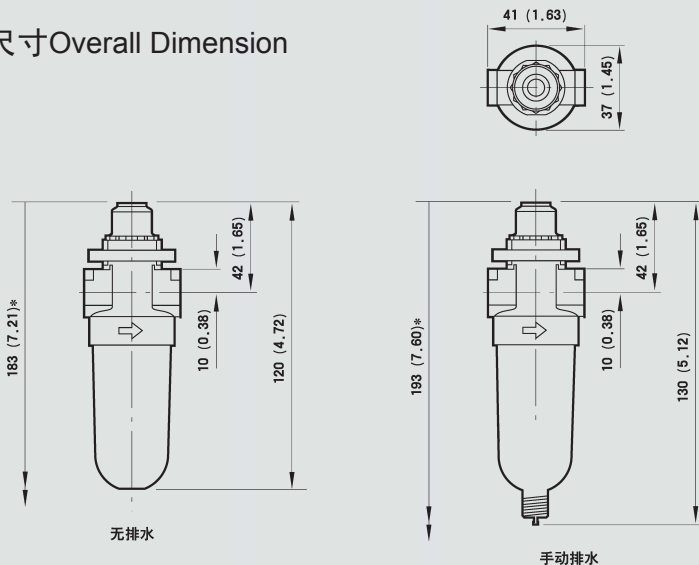
图形符号 Graphic Symbol



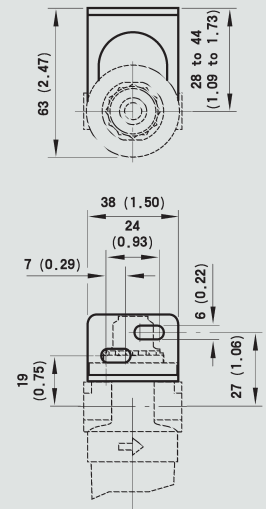
规格 Specification

介质 Medium	压缩空气 Compressed Air
进口压力 Inlet Pressure Condition	透明杯 Transparent Bowl : 6.3 bar
工作环境温度 Temperature Condition	Rc1/8
本体材质 Body Material	锌合金 Zinc Alloy

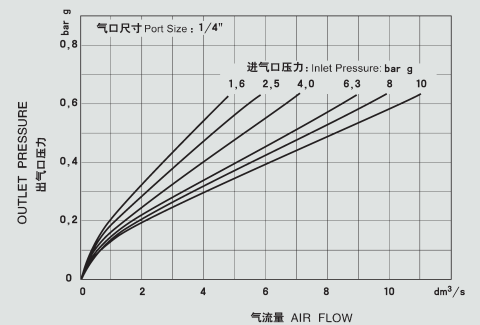
外形尺寸 Overall Dimension



支架安装 Bracket Mounting



流量特性 Flow Characteristic



*拆下滤杯所需要最小间隙。

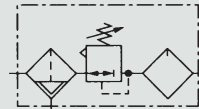
* Minimum clearance required to remove bowl

P1H / PTH系列过滤器/调压阀和润滑器

P1H / PTH Series Filter / Regulator and Lubricator 1/8 " and 1/4 " Port Sizes



图形符号 Graphic Symbol

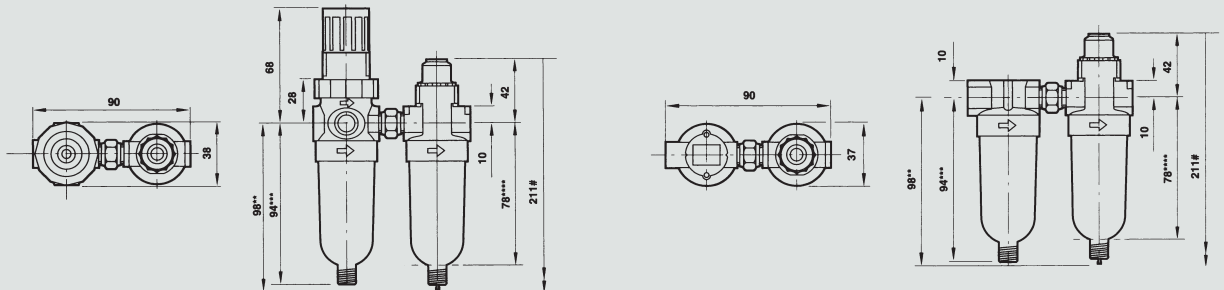


规格 Specification

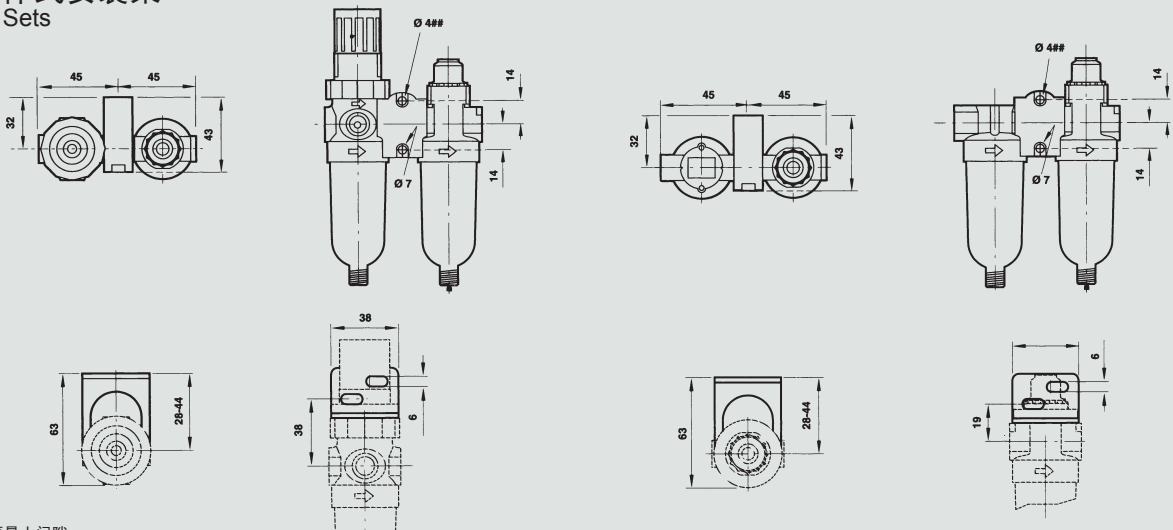
介质 Medium	压缩空气 Compressed Air
进口压力 Inlet Pressure Condition	0~10 bar
环境温度 Temperature	透明杯 Transparent Bowl: -20~50℃
本体材质 Body Material	锌合金 Zinc Alloy

外形尺寸 Overall Dimension

P1H



PTH带一体式安装架
PTH Boxed Sets



#拆卸杯子所需要最小间隙
手动排放 *自动排放 ****无排放
Minimum clearance required to remove bowl

##壁面安装用51mm长螺丝, 5/32"直径

R72系列调压阀

R72 Series Regulator (G1/4 to G3/8)



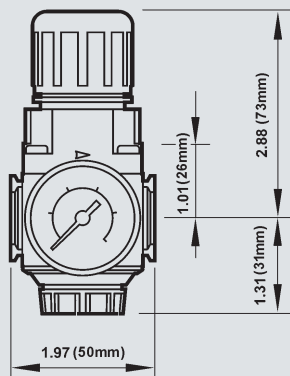
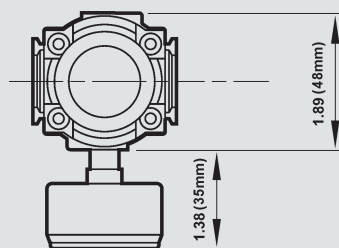
订购码 Ordering Code



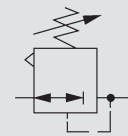
规格 Specification

介质 Medium	压缩空气 Compressed Air
最大压力 Max. Pressure Condition	20bar
压力表接口 Pressure Gauge Bore	Rc1/8
工作环境温度 Temperature Condition	-20~65℃
本体材质 Body Material	锌合金 Zinc Alloy

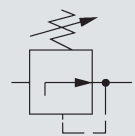
外形尺寸 Overall Dimension



图形符号 Graphic Symbol

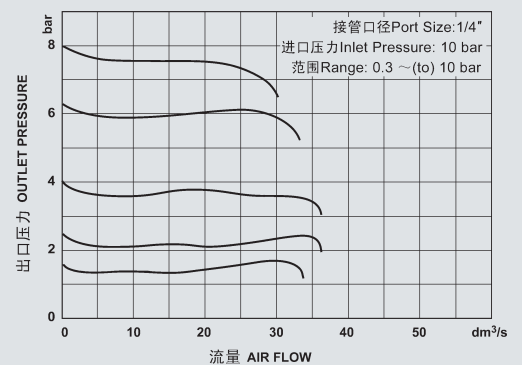


Relieving
溢流



Non Relieving
非溢流

流量特性 Discharge Characteristic

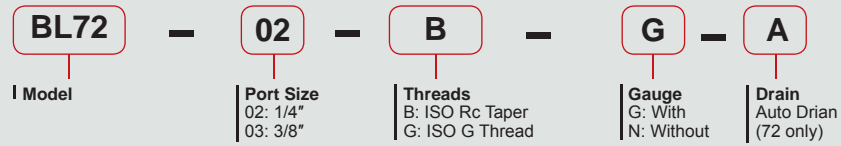


B72系列过滤调压阀

B72 Series Filter / Regulator (G1/4 to G3/8)



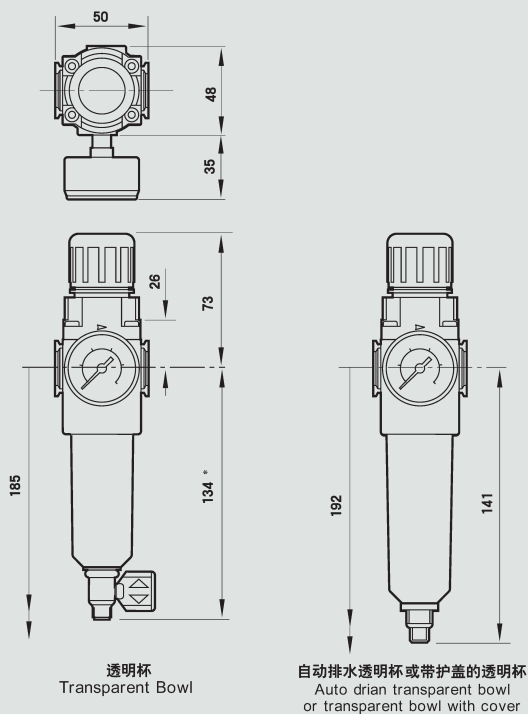
订购码 Ordering Code



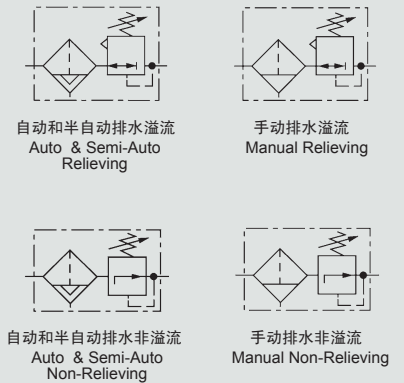
规格Specification

介质 Medium	压缩空气 Compressed Air
最大压力 Max. Pressure Condition	透明杯/Transparent Bowl : 10 bar
压力表接口 Pressure Gauge Bore	Rc1/8
工作环境温度 Temperature Condition	透明杯/Transparent Bowl : -20~50°C
本体材质 Body Material	锌合金 Zinc Alloy

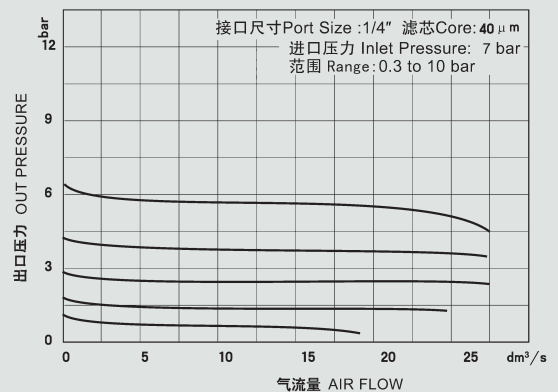
外形尺寸Overall Dimension



图形符号Graphic Symbol



流量特性Discharge Characteristic



L72系列油雾器

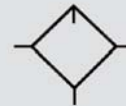
L72 Series Lubricator (G1/4 to G3/8)



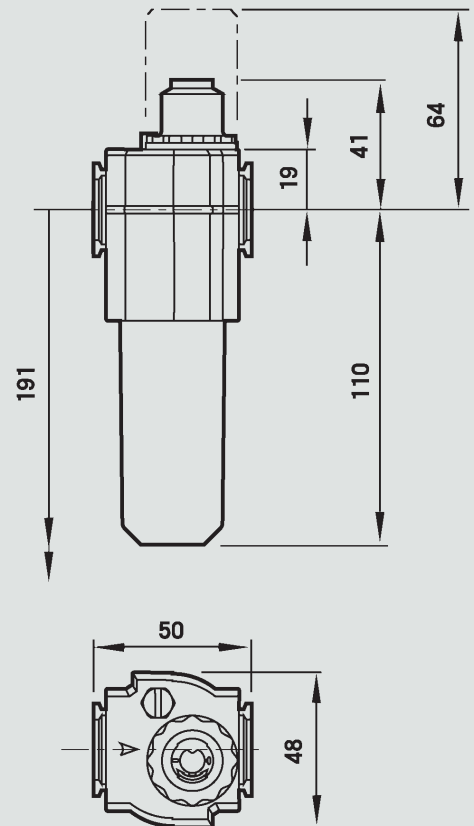
订购码 Ordering Code

B72	-	02	-	G	-	S	-	N
I Model		Port Size 02: 1/4" 03: 3/8"		Threads B: ISO Rc taper G: ISO G parallel		Drain Q: 1/4 Manual S: Semi-Auto A: Auto Drain		Gauge G: With N: Without

图形符号 Graphic Symbol



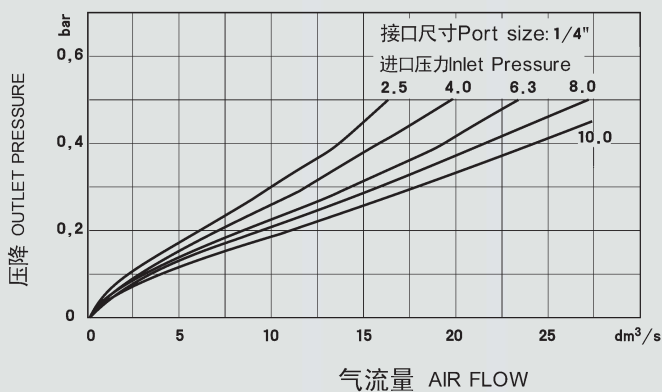
外形尺寸 Overall Dimension



规格 Specification

介质 Medium	压缩空气 Compressed Air
最大压力 Max. Pressure Condition	透明杯/Transparent Bowl : 10 bar
压力表接口 Pressure Gauge Bore	Rc1/8
工作环境温度 Temperature Condition	透明杯/Transparent Bowl : -20~50°C
本体材质 Body Material	锌合金 Zinc Alloy

流量特性 Discharge Characteristic

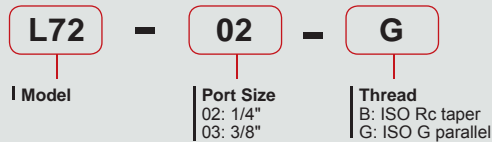


BL72系列组合件-过滤器/调压阀和润滑器

BL72 Series Combination Units Filter / Regulator and Lubricators (G1/4 to G3/8)



订购码 Ordering Code



图形符号 Graphic Symbol

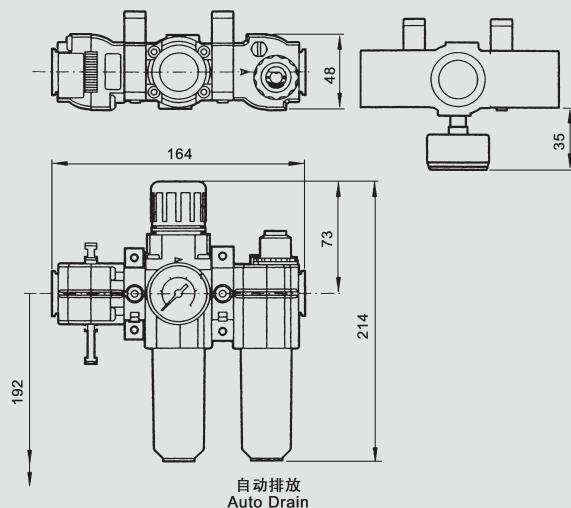


规格 Specification

介质 Medium	压缩空气 Compressed Air
最大压力 Max. Pressure Condition	10 bar
压力表接口 Pressure Gauge Bore	Rc1/8
工作环境温度 Temperature Condition	透明杯/Transparent Bowl: -20~50°C
本体材质 Body Material	锌合金 Zinc Alloy

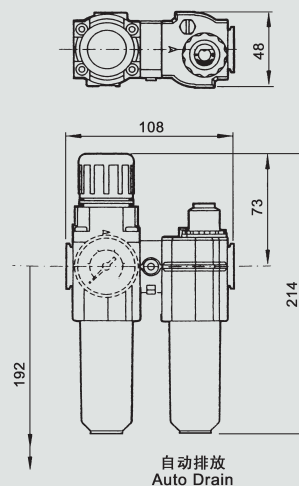
外形尺寸 Overall Dimension

组合部件 Boxed Sets



*拆卸杯子所需最小间隙 * Minimum clearance required to remove bowl

过滤器/调压阀和 润滑器 Filter/regulator & lubricator combinations



滤油器和润滑器 组合装置 Filter & lubricator combinations

